

**SPC BENCHMARK 1™ (SPC-1™)
SPC Benchmark 1/Energy™ Extension (SPC-1/E™)
Official Specification**

Revision ~~3.83.7~~ – Effective ~~28 October 2018~~~~22 July 2018~~

“The First Industry Standard Storage Benchmark”

Storage Performance Council (SPC)

PO Box 3504
Redwood City, CA 94064-3504
Phone (650) 556-9384

www.storageperformance.org

Copyright © 2001 - 2018 Storage Performance Council

SPC Membership as of ~~24~~ July-August 2018

Accelstor Ltd.

Amazon, Inc.

Austin Automation Center
– Department of Veteran Affairs

~~DataDirect Networks~~

~~Datera, Inc.~~

Cybernetics

Datacore Software, Inc.

Dell, Inc.

Elastifile, Inc.

ETRI

~~Dot Hill Systems Corp.~~

~~EMC Corporation~~

Foundation for Research and Technology
– Institute of Computer Science

Fujitsu America, Inc.

FusionStack

Gradient Systems

The George Washington University

Hewlett-Packard ~~Company~~Enterprise

Hitachi Data Systems

Hongik University

Huawei Technologies Co., Ltd.

IBM Corporation

Imation, Corp

Infotrend Technology, Inc.

Inspur Corporation

Kaminario, Inc.

Korea Advanced Institute of Science and
Technology

Lenovo

MacroSAN Technologies Co. Ltd.

~~LSI Corporation~~

NEC Corporation

NetApp, Inc.

~~Nimbus Data Systems, Inc.~~

Oracle Corporation

Pennsylvania State University

Pure Storage, Inc.

Ruijie Networks Co. Ltd.

~~QLogic Corporation~~

Samsung Information Systems, America

Sanmina

SanDisk Corporation

Seagate Technology LLC

~~Silicon Graphics International~~

~~Skyera, Inc.~~

~~SolidFire, Inc.~~

~~Symantec Corporation~~

SuperMicro Computer, Inc.

Telecommunication Technology

Association (TTA)

~~Toshiba America Information Systems,
Inc.~~

University of California, Santa Cruz

University of Patras

~~Violin Memory, Inc.~~

~~Western Digital Corporation~~Vexata

Western Digital Corporation

~~X-IO Technologies~~

The SPC would also like to acknowledge the contributions of the members who helped to create the initial release of version 3 of the SPC-1 specification Austin Automation Center – Department of Veteran Affairs, DataDirect Networks, Datera, Inc., Dell, Inc., Dot Hill Systems Corp., EMC Corporation, Foundation for Research and Technology – Institute of Computer Science, Fujitsu America, Inc., The George Washington University, Hewlett-Packard Company, Hitachi Data Systems, Hongik University, Huawei Technologies Co., Ltd., IBM Corporation, Imation, Corp, Infotrend Technology, Inc., Kaminario, Inc., Korea Advanced Institute of Science and Technology, LSI Corporation, NEC Corporation, NetApp, Inc., Nimbus Data Systems, Inc., Oracle Corporation, Pennsylvania State University, QLogic Corporation, Samsung Information Systems, America, SanDisk Corporation, Seagate Technology LLC, Silicon Graphics International, Skyera, Inc., SolidFire, Inc., Symantec Corporation, Toshiba America Information Systems, Inc., University of California, Santa Cruz, University of Patras, Violin Memory, Inc., Western Digital Corporation, X-IO Technologies

Document History

Effective Date	Version	Description
9 October 2001	1.0	The first official release of the SPC Benchmark-1™ (SPC-1) specification. Approved unanimously by the SPC membership.
	2.0	Not released
21 July 2014	3.0	First major revision of the specification.
18 November 2015	3.1	Additional VERIFY test, improved alignment with post-processing tools
1 July 2016	3.2	Simplified capacity reporting New audit model New FDR content and format
15 January 2017	3.3	Minor editorial cleanup (removal of comments) Strike onsite/offsite audit method discussion Require protection against data loss from single point of failure Clarified terms and definitions Refined Steady State requirements Add pricing disclaimer to Executive Summary Require disclosure of space optimization techniques (e.g., compression or deduplication)
15 May 2017	3.4	Clause 4: Clarify BC/TSC relationship, remove term “system software”, and clarify role of hosts systems and workload generator instances. Clause 5: Reinforce the requirements that all workload generators must access of Logical Volumes and ASUs, and common storage devices. Clause 7: Add requirement to preserve all committed data Minor editorial cleanup
18 September 2017	3.5	Remove remaining references to system software, which is no longer a defined term. Require disclosure of data protection methodology
15 February 2018	3.6	Definition of Physical Free Space (2.5) Space optimization disclosure requirements (2.7, 5.3.3.2, 6.3.8.8, 10.7.8) Scaler shift in price-performance metrics (8.2.3)
22 July 2018	3.7	Correction of test durations in PERSIST_2 (7.4.1) Allowance for additional disclosure items at auditor’s discretion (10.1)
27 October	3.8	Correct SER calculation (2.7.4, 10.7.8) Update membership roster

Table of Contents

SPC MEMBERSHIP AS OF 21 JULY 2014	II
DOCUMENT HISTORY	2
TABLE OF CONTENTS	3
TABLE OF FIGURES	5
TABLE OF TABLES	68
CLAUSE 0 INTRODUCTION.....	9
0.1 PREAMBLE	9
0.2 GENERAL GUIDELINES.....	10
0.3 MEASUREMENT GUIDELINES.....	12
0.4 DISCLAIMER.....	12
CLAUSE 1 WORKLOAD ENVIRONMENT	13
1.1 BUSINESS AND APPLICATION ENVIRONMENT	13
1.2 HIGH-LEVEL WORKLOAD MODEL	13
CLAUSE 2 STORAGE CAPACITY & CONTENT.....	15
2.1 STORAGE CAPACITY HIERARCHY	15
2.2 STORAGE DEVICES & PHYSICAL STORAGE CAPACITY.....	15
2.3 LOGICAL VOLUMES & LOGICAL VOLUME ADDRESSABLE CAPACITY.....	15
2.4 APPLICATION STORAGE UNITS & (ASUs) CAPACITY	16
2.5 PHYSICAL FREE SPACE	18
2.6 ASU CONTENT MIX	20
2.7 SPACE OPTIMIZATION	21
2.8 DATA PROTECTION AND DATA ACCESS	22
2.9 PHYSICAL CAPACITY UTILIZATION.....	22
CLAUSE 3 WORKLOAD AND I/O OPERATION PROFILE.....	23
3.1 OVERVIEW.....	23
3.2 APPLICATION STORAGE UNIT STREAM	23
3.3 I/O STREAM.....	24
3.4 I/O COMMAND OR I/O REQUEST.....	24
3.5 DEFINITIONS.....	24
3.6 SPC-1 PARAMETER TYPES.....	25
3.7 SPC-1 WORKLOAD PARAMETERS.....	28
3.8 DETAILED WORKLOAD DESCRIPTION	33
CLAUSE 4 BENCHMARK CONFIGURATION & TESTED STORAGE CONFIGURATION	37
4.1 DEFINITIONS.....	37
4.2 COMPONENT AVAILABILITY AND SUPPORT	37
4.3 BENCHMARK CONFIGURATION COMPONENTS	37
4.4 BENCHMARK CONFIGURATION EXAMPLES	38
4.5 TESTED STORAGE CONFIGURATION COMPONENTS.....	39
4.6 TESTED STORAGE PRODUCT	44
CLAUSE 5 SPC TEST METHODOLOGY	45

5.1	SUPPORTING DEFINITIONS	45
5.2	TEST PHASE.....	47
5.3	REQUIREMENTS AND CONSTRAINTS	47
CLAUSE 6 SPC-1 MEASUREMENT REQUIREMENTS (EXECUTION RULES)		53
6.1	OVERVIEW.....	53
6.2	GENERAL GUIDELINES.....	53
6.3	PRIMARY METRICS TEST.....	53
CLAUSE 7 DATA PERSISTENCE REQUIREMENTS AND TEST		58
7.1	INTRODUCTION	58
7.2	PERSISTENCE REQUIREMENTS	58
7.3	PERSISTENCE TEST VALIDATION	58
7.4	TEST PHASE SUMMARY.....	58
CLAUSE 8 REPORTED DATA.....		60
8.1	SPC-1 REPORTED DATA.....	60
8.2	SPC-1 PRIMARY METRICS	60
8.3	SPC-1 SECONDARY METRICS.....	60
8.4	SPC-1 ASSOCIATED DATA.....	62
8.5	SPC-1 RESULTS – PUBLIC USE REQUIREMENTS	63
CLAUSE 9 PRICING		65
9.1	OVERVIEW.....	65
9.2	PRICED COMPONENTS.....	65
9.3	CALCULATION OF TOTAL SYSTEM PRICE	65
9.4	TSC/PSC PRICING.....	65
9.5	ADDITIONAL OPERATIONAL COMPONENTS	66
9.6	MAINTENANCE	66
9.7	PRICING METHODOLOGY	67
9.8	REQUIRED REPORTING	70
CLAUSE 10 FULL DISCLOSURE REPORT.....		72
10.1	OVERVIEW	72
10.2	FULL DISCLOSURE REPORT REQUIREMENTS	72
10.3	DOCUMENT CONTENTS	72
10.4	FRONT MATTER.....	73
10.5	EXECUTIVE SUMMARY.....	74
10.6	CONFIGURATION INFORMATION.....	79
10.7	BENCHMARK EXECUTION RESULTS	88
CLAUSE 11 MEASUREMENT, AUDIT, AND RESULTS SUBMISSION.....		94
11.1	INTRODUCTION.....	94
11.2	TYPES OF NEW SPC-1 RESULTS	94
11.3	SPC-1 AUDIT.....	94
11.4	SPC-1 AUDITED MEASUREMENTS.....	95
11.5	AUDITOR.....	95
11.6	GENERAL AUDIT PROCEDURES	95
11.7	CLAUSE SPECIFIC AUDIT PROCEDURES	96
11.8	SPC-1 AUDIT CERTIFICATION	99

11.9	FDR VERIFICATION.....	99
11.10	SPC-1 MEASUREMENT SUBMISSION.....	100
11.11	SPC PEER REVIEW.....	100
11.12	CREATING A NEW SPC-1 RESULT BASED ON AN EXISTING SPC-1 RESULT	101
11.13	SPC-1 RESULT REVISIONS.....	101
CLAUSE 12	ENERGY EXTENSION	104
12.1	OVERVIEW	104
12.2	APPARATUS	104
12.3	DISCLOSURE REQUIREMENTS	104
12.4	MEASUREMENTS	104
12.5	POWER PROFILES	106
12.6	NAMING CONVENTION	107
12.7	SPC-1/E REPORTED DATA	107
12.8	SPC-1/E FULL DISCLOSURE REPORT (FDR) REQUIREMENTS	110
12.9	SPC-1/E AUDIT REQUIREMENTS.....	110
	INDEX.....	113
Appendix A	Letter of Good Faith Template.....	109
Appendix B	The Hierarchical Reuse Random Walk	110 113

Table of Figures

Figure 2-1	Sample ASU- to- Logical Volume Address Mappings.....	14
Figure 2-2	Physical Free Space: Example 1.....	17 20
Figure 3-1	Workload Components.....	24
Figure 4-1	Sample Benchmark Configurations: Direct Attach Storage	39
Figure 4-2	External Storage Configurations	40
Figure 4-3	Embedded or External Controller – External Storage Devices	42
Figure 4-4	Embedded Storage Controller – Embedded Storage Devices	43
Figure 4-5	Network Storage –External Storage Controller and Storage Devices	44
Figure 5-1	Test Phase	47
Figure 5-2	IO Requests from Multiple Hosts	51
Figure 5-3	Measurement Boundary	52
Figure 5-4	Measurement Boundary	53
Figure 6-1	Test Execution Overview.....	57
Figure 10-1	BC/TSC Configuration Diagram.....	81
Figure 10-2	Storage Network Configuration Diagram	83
Figure 12-1	Power / Performance Profile Data	109
Figure 12-2	Power Profile Data.....	109

Figure 12-3 Power Consumption Data..... 110

Table of Tables

Table 2-1 ASU Content Mix..... 18

Table 3-1 - SMIX Transfer Size Distribution..... ~~31~~³⁵

Table 3-2 - ASU 1 Parameter Types and Values 36

Table 3-3 - ASU 2 Parameter Types and Values 37

Table 3-4 - ASU 3 Parameter Types and Values 38

Table 6-1 Primary Metrics Test Phases 56

Table 7-1 Persistence Test Phases 60

Table 8-1 Overall Response Time Components 63

Table 10-1 Summary of Results..... 77

Table 10-2 Priced Storage Configuration Components 79

Table 10-3 Contact Information 80

Table 10-4 Revision Information and Key Dates..... 80

Table 10-5 Source SPC-1 Result Information..... 85

Table 10-6 Host System 86

Table 10-7 Tested Storage Configuration 86

Table 10-8 Logical Volume Addressable Capacity and ASU Mapping 89

Table 10-9 Physical Capacity and Storage Device Summary 89

Table 10-10 Repeatability Test Results 92

Table 10-11 Space Utilization Results 93

Table 10-12 Space Optimization Ratios 94

Table 10-13 Data Persistence Test Results 94

Clause 0 Introduction

0.1 Preamble

The SPC Benchmark-1™ (SPC-1) is a sophisticated performance measurement workload for storage subsystems. The benchmark simulates the demands placed upon on-line, non-volatile storage in a typical server-class computer system. SPC-1 provides measurements in support of real world environments characterized by:

- Demanding total I/O throughput requirements.
- Sensitive I/O response time constraints.
- Dynamic workload behaviors.
- Substantial storage capacity requirements.
- Diverse user populations and expectations.
- Data persistence requirements to ensure preservation of all committed data without corruption or loss in the event of a loss of power or storage device failure.

SPC-1 is designed as a source of comparative storage subsystem performance information. It is intended to provide value throughout the storage product lifecycle (e.g. development of product requirements; product implementation; performance tuning; capacity planning, market positioning; and purchase evaluations).

In view of the broad applicability of the SPC-1 benchmark, it is anticipated that readers may wish to approach the present document via a variety of starting points. For example:

- Readers who need only a quick overview of the benchmark itself can obtain one by examining Clause 1 (broad introduction to the benchmark environment) and [Table 3-2](#)~~Table 3-2~~, [Table 3-3](#)~~Table 3-3~~, and [Table 3-4](#)~~Table 3-4~~, (the I/O workload characteristics presented in tabular form).
- Readers who wish a detailed understanding of the benchmark should, in addition, consult Clause 2 (organization of storage), Clause 3 (SPC-1 workload definition) and [Clause 4](#)~~Clause 4~~ (benchmark usage in specific configurations).
- Readers who are examining or referring to test results obtained by running the SPC-1 benchmark should minimally examine Clause 8 (reported data). [Clause 5](#)~~Clause 5~~ and [Clause 6](#)~~Clause 6~~ (execution rules) are also recommended for such readers.
- Readers who wish to actually run an SPC-1 benchmark test should minimally examine Clause 2, Clause 5, [Clause 6](#)~~Clause 6~~, and Clause 7.
- Finally, readers who wish to submit SPC-1 benchmark results for posting by the SPC must read the entire SPC-1 specification to ensure compliance with its provisions.

The SPC-1 specification is intended to be vendor and platform independent. Any vendor should be able to sponsor and publish an SPC-1 benchmark, provided their tested configuration satisfies the performance, integrity, and availability requirements of the

specification. Further, the benchmark is intended to be meaningful across a broad range of system configurations and storage topologies including:

- *Different storage components*: the specification allows virtually any combination of storage technologies in a system configuration. Implementers are free to use any combination of storage types and to select the level of redundancy and reliability that best showcases their solution.
- *Various interconnect topologies*: the benchmark has been designed to allow for all forms of system and network interconnection. New network-based solutions (i.e., SANs) and more traditional host-based systems can both produce accurate and meaningful benchmark results.
- *Varied task assignments*: SPC-1 allows vendors to optimally demonstrate the performance features of their storage solutions. In addition and regardless of implementation choices, SPC-1 will provide a means of robust and reliable performance verification.
- *Adaptive scheduling, caching and resource allocation*: By relying on a diverse and sophisticated model of the storage workload that systems will encounter in the field, SPC-1 will provide a fair evaluation of the quality of automated performance optimization algorithms throughout the storage subsystem.

Rather than requiring or favoring a particular implementation, it is the goal of the SPC-1 benchmark specification to provide a robust, verifiable, reproducible environment within which the relative strengths of differing design and configuration approaches can be evaluated.

0.2 General Guidelines

The purpose of SPC benchmarks is to provide objective, relevant, and verifiable data to purchasers of I/O subsystems. To that end, SPC specifications require that benchmark tests be implemented with system platforms and products that:

- Are generally available to users.
- A significant percentage of the users in the target market segment (server class systems) would implement.
- Are relevant to the market segment that the benchmark represents.

In addition, all SPC benchmark results are required to be sponsored by a distinctly identifiable entity, which is referred to as the TEST SPONSOR. The TEST SPONSOR is responsible for the submission of all required SPC benchmark results and materials. The TEST SPONSOR is responsible for the completeness, accuracy, and authenticity of those submitted results and materials as attested to in the required Letter of Good Faith (see [Appendix A](#)).

The use of new systems, products, technologies (hardware or software) and pricing is encouraged so long as they meet the requirements above. Specifically prohibited are benchmark systems, products, pricing (hereafter referred to as "implementations") whose primary purpose is performance optimization of SPC benchmark results without any corresponding applicability to real-world applications and environments. In other

words, all "benchmark specials," implementations that improve benchmark results but not general, real-world performance, are prohibited.

The following characteristics should be used as a guide to judge whether a particular implementation is a "benchmark special". It is not required that each point below be met, but that the cumulative weight of the evidence be considered to identify an unacceptable implementation. Absolute certainty or certainty beyond a reasonable doubt is not required to make a judgment on this complex issue. The question that must be answered is this: based on the available evidence, does the clear preponderance (the greater share or weight) of evidence indicate that this implementation is a "benchmark special"?

The following characteristics should be used to judge whether a particular implementation is a benchmark special:

- Is the implementation generally available, documented, and supported?
- Does the implementation have significant restrictions on its use or applicability that limits its use beyond SPC benchmarks?
- Is the implementation or part of the implementation poorly integrated into the larger product?
- Does the implementation take special advantage of the limited nature of SPC benchmarks (e.g., I/O request profile, I/O request mix, I/O request concurrency and/or resource contention) in a manner that would not be generally applicable to the environment the benchmark represents?
- Is the use of the implementation discouraged by the vendor? (This includes failing to promote the implementation in a manner similar to the TEST SPONSOR's other products and technologies.)
- Does the implementation require uncommon sophistication on the part of the end-user, programmer, or system administrator?
- Is the packaging or pricing unusual or non-customary for the vendor or unusual or non-customary to normal business practices? The following pricing practices are suspect:
 - Availability of a discount to a small subset of possible customers.
 - Discounts documented in an unusual or non-customary manner.
 - Pricing featured as a close-out or one-time special.
 - Unusual or non-customary restrictions on transferability of product, warranty or maintenance on discounted items.
- Is the implementation being commonly used or purchased by a majority of end-users in the market area the benchmark represents? If the implementation is not currently being used by end-users, is there any evidence to indicate that it will be used by a significant number of users?

To assure the equitable application of this standard, the SPC has created a robust system of audit and peer review. It is the goal of the SPC to assure that only those results that represent accurate and meaningful product performance will be endorsed as official SPC results.

0.3 Measurement Guidelines

SPC benchmark results are expected to be accurate representations of subsystem performance. Therefore, stringent measurement, auditing, and reporting guidelines are mandated by this specification. In general, fidelity and candor must be maintained in reporting any anomalies in the results, even if not specified in the benchmark requirements.

More detailed measurement, evaluation and disclosure requirements can be found in the body of the specification.

0.4 Disclaimer

While this workload models a rich multi-user environment that emulates a broad range of server applications, it neither represents the entire range of I/O requirements for server systems nor precisely mimics any particular application. In addition, the extent to which anyone is capable of achieving the results reported by a vendor is highly dependent upon how closely the customer's application maps to the SPC-1 workload. The extrapolation of SPC-1 results to other environments is therefore not recommended.

Actual system performance is highly dependent upon specific workload characteristics, platform configuration, and application-specific tuning. Relative system performance will vary as a result of these and other factors. Thus, SPC-1 should not be used as a substitute for customer application benchmarking when critical performance requirements are called for.

SPC-1 uses terminology and metrics that are similar to other benchmarks. This similarity does not imply that results from this benchmark are comparable with other benchmarks.

Clause 1 Workload Environment

1.1 Business and Application Environment

SPC-1 is comprised of a set of I/O operations designed to demonstrate the performance of a storage subsystem while performing the typical functions of a business critical application. SPC-1 represents a segment of applications characterized by predominately random I/O operations and requiring both queries as well as update operations (for example: OLTP systems, database systems, or mail server applications).

1.2 High-Level Workload Model

1.2.1 Overview

The segment of applications represented by SPC-1 covers a broad range of user profiles, business functions and system configurations. Since the focus of SPC-1 is on the commonalities of those applications (e.g., high reliance on stored data, multi-user access, etc.), it was necessary to develop a model that would simplify the workload to the point that highlighted the similarities of its business segment while removing any conflicts and details that weren't central to performance evaluation. The model used in SPC-1 has two central scaling components:

- STIMULUS SCALING UNITS (SSUs)
- APPLICATION STORAGE UNIT (ASUs)

1.2.2 Stimulus Scaling Units (SSUs)

STIMULUS SCALING UNITS (SSUs) are a logical abstraction that captures the key elements in the IO demands of an application's user population. By focusing the benchmark on this aggregated IO load, SPC-1 is able to provide a scalable stimulus for the tested system that will provide a broad test of the storage configuration without getting lost in the detail that would be necessary for the accurate modeling of any one application. The result will be a workload that will retain its relevance across many generations of a particular application and through a broad spectrum of possible applications.

SPC-1 is scaled by increasing or decreasing the requested IO load while maintaining the precise mix of operations and constraints. At any given load level, the requested IO load is mapped to a specific number of SSUs to capture common inter-user behaviors, and the appropriate balance between application IO and logging IO.

One SPC-1 SSU corresponds to a community of users who collectively generate up to 500 I/O's per second.

1.2.3 Application Storage Units (ASUs)

In the same way that the SSU generalizes the IO load presented to a tested system by an application, APPLICATION STORAGE UNIT (ASUs) are used to abstract the storage configuration that must respond to that IO load. An ASU is the logical entity identified by the application as the destination or source of data that requires persistence beyond the execution of the application. If the SSU can be thought of as the source of the benchmark workload, then the ASU becomes the sink, providing the logical environment in which the abstracted workload is run.

An ASU represents an abstraction of storage media and does not require a particular physical implementation. The physical implementation is determined by the TEST SPONSOR and must meet the storage configuration requirements stated in Clause 2. See Clause 4 for examples of supported configurations.

Clause 2 Storage Capacity & Content

2.1 Storage Capacity Hierarchy

SPC-1 views storage capacity in terms of a three-level hierarchy, as follows:

- PHYSICAL STORAGE CAPACITY defined in Clause 2.2.
- LOGICAL VOLUME ADDRESSABLE CAPACITIES defined in Clause 2.3.
- APPLICATION STORAGE UNIT CAPACITY defined in 2.4.

2.2 Storage Devices & Physical Storage Capacity

2.2.1 A STORAGE DEVICE is a discrete, physical hardware component, such as an HDD, or an SSD that provides permanent data storage.

Comment: *The intent of this clause is to exclude components that provide volatile data storage, such as a read and/or write cache.*

2.2.2 A STORAGE DEVICE must be capable of storing data indefinitely without external power.

2.2.3 PHYSICAL STORAGE CAPACITY consists of the total storage capacity of all of the STORAGE DEVICES in the TESTED STORAGE CONFIGURATION (see 4.1.2).

2.2.4 Storage Device Capacity

2.2.4.1 The storage capacity of a STORAGE DEVICE is its formatted capacity, if that information is publicly available.

2.2.4.2 In cases where the formatted capacity of a STORAGE DEVICE is not publicly available, the storage capacity will be the maximum capacity that can be made available for application use from that STORAGE DEVICE.

2.2.4.3 In cases where both the formatted capacity and the capacity available for application use are publicly available information, the TEST SPONSOR will report the formatted capacity.

Comment: *The capacity of a STORAGE DEVICE, as used in computing the PHYSICAL STORAGE CAPACITY, must be based on the maximum available storage capacity of the STORAGE DEVICE as configured by the manufacturer, regardless of whether it has subsequently been reconfigured to make a lesser storage capacity available for application use*

2.3 Logical Volumes & Logical Volume Addressable Capacity

A LOGICAL VOLUME is an individually addressable logical unit of storage presented to the SPC-1 WORKLOAD GENERATOR. Examples of LOGICAL VOLUMES include, but are not limited to:

- A single physical disk drive.
- A partition on a single physical disk drive.

- Multiple disk drives configured combined in an array.
- A single logical partition on a multi-drive array.
- Multiple, non-contiguous segments of one or more physical disk drives.
- A virtual disk accessed via a Storage Area Network (SAN).
- A RAM disk.
- A hierarchy of any of the above.

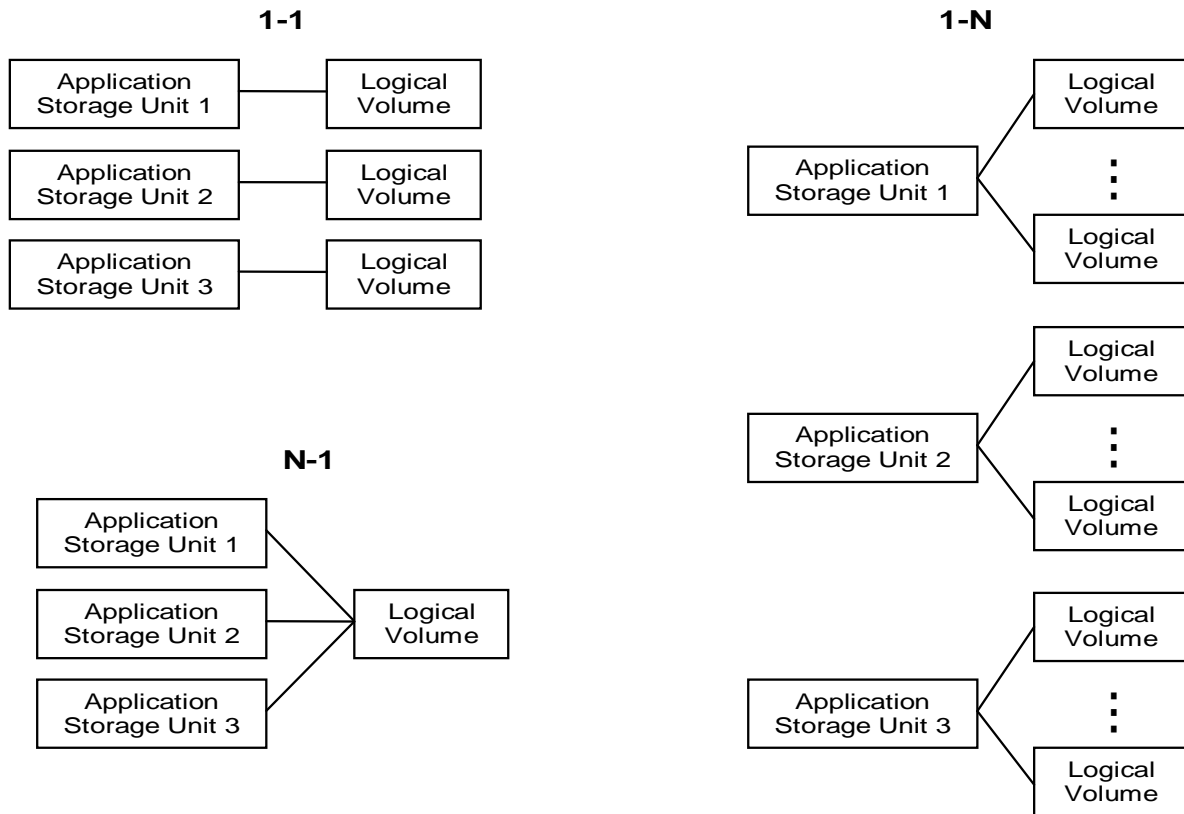
2.3.1 LOGICAL VOLUME ADDRESSABLE CAPACITY of the TSC consists of the total addressable capacity of all the LOGICAL VOLUMES as presented to the SPC-1 WORKLOAD GENERATOR.

2.4 Application Storage Units & (ASUs) Capacity

2.4.1 An APPLICATION STORAGE UNIT (ASU) represents is a logical interface between the SPC-1 DATA REPOSITORY benchmark’s data and repository and the SPC-1 WORKLOAD GENERATOR, and provides the persistent non-volatile storage read and or written in the course of executing the benchmark.

2.4.2 All LOGICAL VOLUME to ASU mappings are permissible, provided they satisfy the requirements in Clauses 2.4.4 through 2.4.7. See Figure 2-1 for illustration of some

Figure 2-1 Sample ASU- to- Logical Volume Address Mappings



example mapping examples.

- 2.4.3 Each ASU must be contained in a unique address space that is addressable by the SPC-1 WORKLOAD GENERATOR as a contiguous set of LOGICAL BLOCKS.
- 2.4.4 If an ASU is mapped to more than one LOGICAL VOLUME, each LOGICAL VOLUME must have the same addressable capacity.
- 2.4.5 If an ASU is mapped to multiple LOGICAL VOLUMES and the storage capacity of the ASU is smaller than the total addressable capacity of those LOGICAL VOLUMES, the ASU must be evenly distributed across those LOGICAL VOLUMES.
- | 2.4.6 If an ASU is mapped to multiple LOGICAL VOLUMES, the address mapping ~~is must shall~~ be a simple concatenation of these LOGICAL VOLUMES.
- 2.4.7 ASU CAPACITY consists of the total addressable capacity of all the portions of LOGICAL VOLUMES to which an ASU is mapped. Any portion of the addressable capacity of a LOGICAL VOLUME to which no ASU is mapped is not included in the calculation of ASU CAPACITY.

2.5 Physical Free Space

2.5.1 SPC-1 defines PHYSICAL FREE SPACE as the persistent storage capacity that could be used to hold application data and the metadata required to access maintain and protect that data, but is not in use at the time of the PHYSICAL FREE SPACE measurement.

The PHYSICAL FREE SPACE measurement also excludes capacity reserved by the system and not available to hold application data or related metadata. Examples of such reserves might include spare drives, fixed metadata partitions, or capacity reserved to enable garbage collection.

Comment: *PHYSICAL FREE SPACE includes writable space within the LOGICAL VOLUMES that is not consumed by ~~the~~ each ASU, as well as space that could only be used by creating additional LOGICAL VOLUMES.*

Comment: *Space that, if written, would push the TSC's self-reported capacity utilization above 100.0% is not part of the PHYSICAL FREE SPACE.*

Comment: *Space that is no longer in use, but cannot be written to because ~~the~~ the garbage collector must first run to reclaim the space is overhead, not PHYSICAL FREE SPACE.*

2.5.2 Physical Free Space Calculation

2.5.2.1 Assumptions

There are many space management and data protection systems in use in modern storage systems. PHYSICAL FREE SPACE will be calculated somewhat differently in each of the following examples. In each of these examples, we assume the TSC is a single array with 10 STORAGE DEVICES, each with a formatted capacity of 1,000 GiB. The test sponsor is setting up the TSC to run an SPC-1 test with a 4,000 GiB ASU CAPACITY.

2.5.2.2 Free space example 1

Consider an array using RAID ~~1~~0 data protection with essentially no metadata overhead. This array does no space optimization and does not thin-provision volumes. The entire array has been configured into a single RAID group. This group can hold 5,000 GiB of data. The test sponsor has created 5 LOGICAL VOLUMES, each 950 GiB in size. ASU-1 and ASU-2 will each consume 1,800 GiB of space spread equally across two LOGICAL VOLUMES. ASU-3 will consume 400 GiB of space on the fifth LOGICAL VOLUME.

This array will have 1,000 GiB of PHYSICAL FREE SPACE, calculated as follows: There is 250 GiB of space in the RAID group not allocated to any logical volume. Each of the LOGICAL VOLUMES supporting ASU-1 and ASU-2 have 50 GiB of space not consumed by the ASU. The LOGICAL VOLUMES supporting ASU-3 has 550 GiB of free space.

The total PHYSICAL FREE SPACE is 250 GiB + 4 X 50 GiB + 550 GiB = 1,000 GiB (see Figure 2-2)

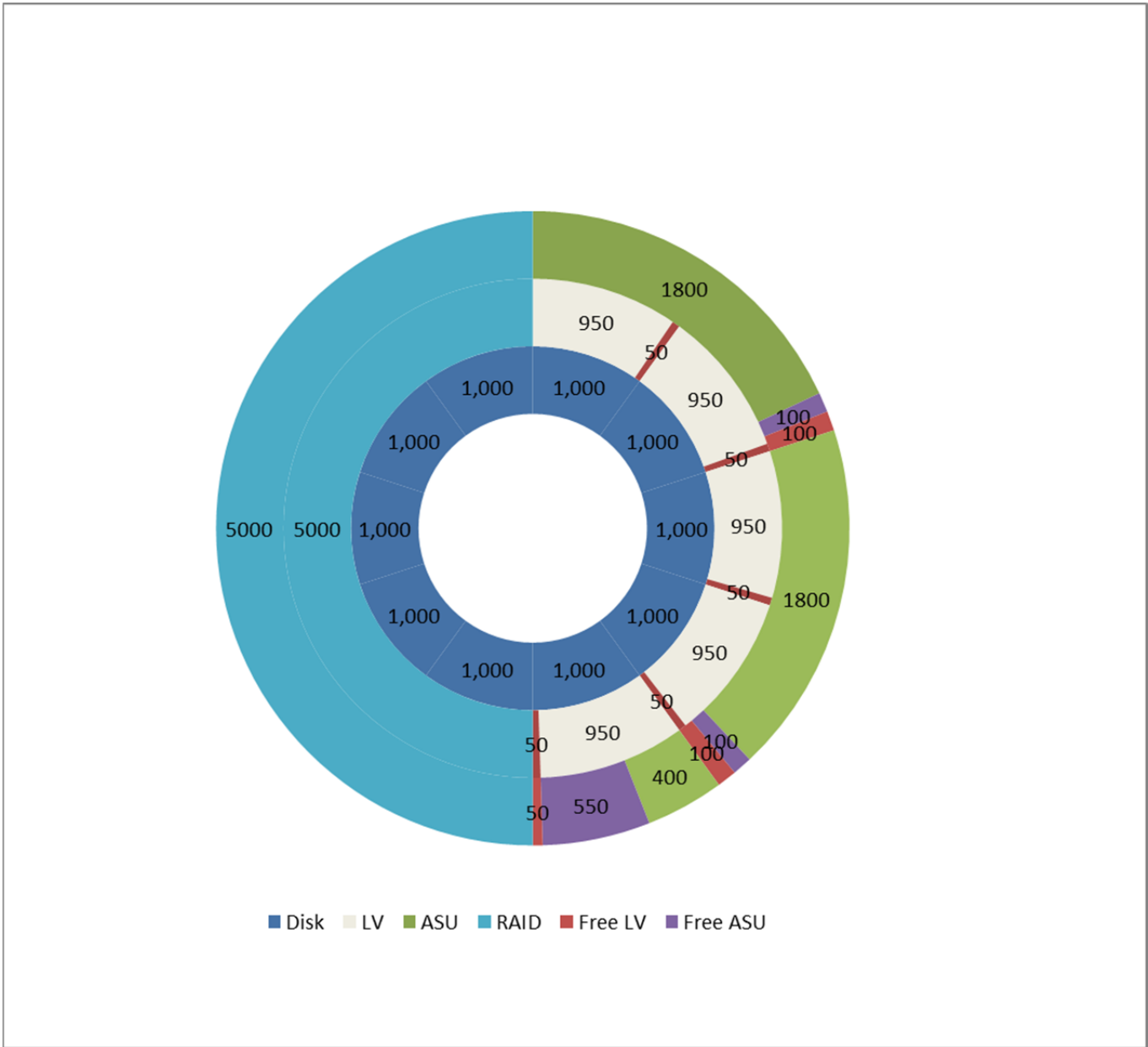


Figure 2-2 Physical Free Space: Example 1

2.5.2.3 Free space example 2

Consider an array using a single pool of space created using RAID_6 across 9 of the drives. The 10th drive is a spare. In addition, the array reserves 1 drive’s worth of physical capacity within the RAID set to allow for a rebuild after a drive failure. This array uses extensive space optimization and thin provisioning. As a result 10% of the available space (after RAID and spare capacity overheads) is set aside for garbage collection overhead. Finally, there is a fixed 10 GiB pool of system meta-data.

The test sponsor has created 5 volumes, each 2,000 GiB in size. However these volumes are thin-provisioned and, since the ASU pre-fill phase has not been run, they consume no space.

This array will have 5,390 GiB of PHYSICAL FREE SPACE, calculated as follows. Of the original 10,000 GiB of capacity:

- 2,000 GiB is consumed by RAID_6 parity,
- 1,000 GiB by the spare drive,
- 1,000 GiB by the spare capacity within the RAID group.
- 6,000 GiB of available capacity, of which:
 - 10% or 600 GiB is set aside for the garbage collector,
 - 10 GiB is set aside for system metadata.

Thus the PHYSICAL FREE SPACE is $(10,000 \text{ GiB} - 2,000 \text{ GiB} - 1,000 \text{ GiB} - 1,000 \text{ GiB}) * 0.9 - 10 \text{ GiB}$, or 5,390 GiB

2.5.2.4 Free space example 3

Continuing example 2, after the ASU pre-fill phase runs, the array reports that 1,120 GiB of physical space has been consumed by the compressed and deduplicated ASUs. PHYSICAL FREE SPACE is now now 5,390 GiB - 1,120 GiB or 4,270 GiB.

2.6 ASU Content Mix

2.6.1 Overview

SPC-1 defines three type of data content:

- Sparse: Content in this category is assumed to contain sparse data where a large amount of the capacity contains all zeros (or any single value) and can be compressed to a small number of bytes (e.g., a representative value and the number of occurrences), regardless of the original file size.
- Text: content in this category is assumed to contain ASCII English text and is intended to respond to compression through common techniques.
- Binary: content in this category is assumed to contain the 8-bit random data, mimicking the binary output of a prior compression process, and to therefore not be a candidate for further compression.

2.6.2 Unless otherwise defined for a given workload, all ASUs will be filled using the data mix defined in ~~Table 2-1~~ [Table 2-1](#).

Table 2-1 ASU Content Mix

Content Type	Percentage
Text	40
Binary	20
Sparse	40

2.7 Space Optimization

2.7.1 Advanced space optimization techniques that increase the amount of user-accessible data that may be stored in a given amount of physical storage, such as compression or deduplication, may be used in a storage configuration.

2.7.2 If an ASU employs space optimization, the functionality used must:

- Be disclosed (see 10.6.2.5);
- Provide support for general purpose optimization, and not take special advantage of the precise content employed in SPC-1;
- Apply to all data within an ASU;
- Be transparent to the SPC-1 Workload Generator, so that there is no impact on the user application level access to data stored in an ASU.

2.7.3 The space optimization techniques employed may differ from one ASU to another.

2.7.4 SPC-1 defines two metrics for space optimization:

- The SPACE OPTIMIZATION RATIO is the ratio of the size of the SPC-1 data set as generated by the SPC-1 workload generator divided by the amount of incremental space consumed by that data set. This ratio is calculated as:

$$SOR = \frac{T}{P1 - P2}$$

Where:

SOR is SPACE OPTIMIZATION RATIO

T is total ASU CAPACITY

P1 is PHYSICAL FREE SPACE after LOGICAL VOLUMES creation

P2 is PHYSICAL FREE SPACE after Repeatability Test Phase

- The SPACE EFFECTIVENESS RATIO measures the ratio of the total amount SPC-1 data that the TSC can hold to the total physical capacity of the TSC. This ratio is calculated as:

$$SER = \frac{P1 * SOR}{T}$$

Where:

SER is SPACE EFFECTIVENESS RATIO

P1 is PHYSICAL FREE SPACE after LOGICAL VOLUMES creation

SOR is SPACE OPTIMIZATION RATIO

~~T is total ASU PHYSICAL STORAGE CAPACITY. These ratios shall be reported to two decimal places in a table such as Table 10-12.~~

2.8 Data Protection and Data Access

2.8.1 A compliant TSC must protect against loss of data due to single component failure.

2.8.2 Data protection is required for the benchmark's data repository. Data protection is categorized as one of the following DATA PROTECTION LEVELS:

Protected 1: The single point of failure of any STORAGE DEVICE in the TSC will not require user intervention to restore access to the benchmark's data repository.

Protected 2: The single point of failure of any component in the TSC will not require user intervention to restore access to the benchmark's data repository.

2.8.3 The TEST SPONSOR must select a DATA PROTECTION LEVEL and configure the TSC to provide the selected level of data protection.

2.9 Physical Capacity Utilization

2.9.1 PHYSICAL CAPACITY UTILIZATION is defined as ASU CAPACITY divided by the PHYSICAL STORAGE CAPACITY.

2.9.2 PHYSICAL CAPACITY UTILIZATION cannot be less than 35%.

Clause 3 Workload and I/O Operation Profile

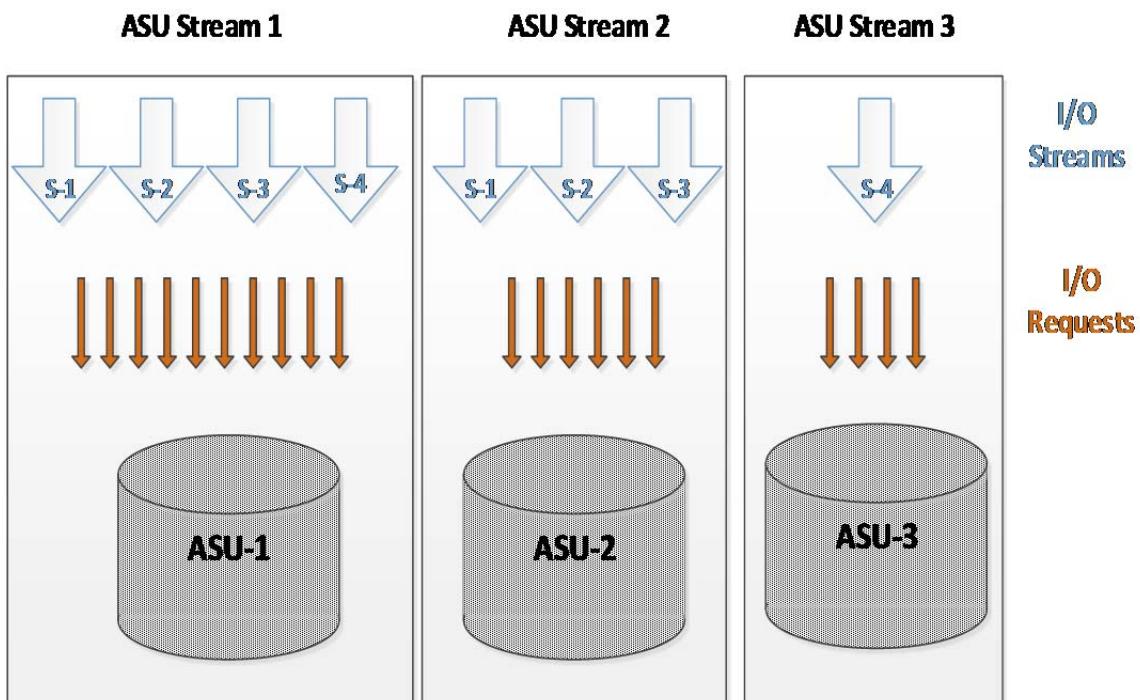
3.1 Overview

SPC-1 defines several distinct workload components, layered from highest to lowest level as follows:

- WORKLOAD: a collection of ASU STREAMs
- ASU STREAM: a collection of I/O STREAMs.
- I/O STREAM: a single, well-defined, sequence of I/O REQUESTs.
- I/O REQUEST or I/O COMMAND: a single atomic unit of work to an APPLICATION STORAGE UNIT.

The components and their relationship are illustrated in Figure 3-1.

Figure 3-1 Workload Components



3.2 Application Storage Unit Stream

An ASU STREAM consists of one or more I/O STREAMs, and completely defines the I/O sent to a given ASU (see 2.4).

3.3 I/O Stream

An I/O STREAM consists of a sequence of I/O REQUESTS. I/O STREAMS are defined in terms of the SPC-1 workload parameters defined in Clause 3. The I/O STREAM is initiated at a specific point during the WORKLOAD execution, and has a specific lifespan. The sequence of individual commands within the I/O STREAM is fully defined by the parameter settings defined for the WORKLOAD. One definition is required for each I/O STREAM contained in the WORKLOAD, and is sufficient to characterize every I/O associated with that I/O STREAM.

3.4 I/O Command or I/O Request

An I/O REQUEST (or I/O Command) is the lowest level in the SPC-1 workload hierarchy. It completely defines a single command that transfers data to or from an APPLICATION STORAGE UNIT. It is an entity that contains sufficient information to enable the SPC-1 WORKLOAD GENERATOR to issue an I/O operation to the APPLICATION STORAGE UNIT in conformance with the SPC-1 WORKLOAD.

As an example, an I/O REQUEST might contain the following items:

- ASU identifier.
- The starting address of the data transfer.
- The byte count of the data transfer.
- The type of data transfer (read or write).
- A pointer to a buffer for transmission (writes) or reception (reads) of data.

3.5 Definitions

3.5.1 Rationale

Although many parameters associated with an I/O workload are self-explanatory, there are several that are subject to interpretation, particularly when the intent of SPC-1 is to support multiple operating systems and hardware platforms. For this reason, some preliminary definitions are needed to avoid ambiguity and/or confusion. It should be noted that the scope of these definitions is limited to SPC-1.

3.5.2 Logical Block

A LOGICAL BLOCK is the smallest directly addressable unit of storage on the ASU. It is a fixed quantity of 512 bytes. For an ASU with a block size of b and a capacity of n LOGICAL BLOCKS, the capacity in bytes is equal to the product of b and n .

3.5.3 Logical Block Address (LBA)

The logical block address (LBA), which is sometime known as the logical block number (LBN), specifies the absolute address of a LOGICAL BLOCK on an ASU. For an ASU with a capacity of n LOGICAL BLOCKS, it is a discrete value that ranges from a value of 0 (zero) for the first LOGICAL BLOCK on the ASU to a high of $n-1$ for the last LOGICAL BLOCK on the ASU.

3.5.4 Measurement Units

3.5.4.1 “Decimal” (powers of ten) Measurement Units

In the storage industry, the terms “kilo”, “mega”, “giga”, “tera”, peta, and “exa” are commonly used prefixes for computing performance and capacity. For the purposes of the SPC-1 WORKLOAD, all of these terms are defined in powers of 10. Specifically:

- A kilobyte (KB) is equal to 1,000 (10^3) bytes.
- A megabyte (MB) is equal to 1,000,000 (10^6) bytes.
- A gigabyte (GB) is equal to 1,000,000,000 (10^9) bytes.
- A terabyte (TB) is equal to 1,000,000,000,000 (10^{12}) bytes.
- A petabyte (PB) is equal to 1,000,000,000,000,000 (10^{15}) bytes.
- An exabyte (EB) is equal to 1,000,000,000,000,000,000 (10^{18}) bytes.

3.5.4.2 “Binary” (powers of two) Measurement Units

The sizes reported by many operating system components use “power of two” measurements units rather than “power of ten” units. The following standardized definitions and terms are also valid and may be used in this specification.

- A kibibyte (KiB) is equal to 1,024 (2^{10}) bytes.
- A mebibyte (MiB) is equal to 1,048,576 (2^{20}) bytes.
- A gibibyte (GiB) is equal to 1,073,741,824 (2^{30}) bytes.
- A tebibyte (TiB) is equal to 1,099,511,627,776 (2^{40}) bytes.
- A pebibyte (PiB) is equal to 1,125,899,906,842,624 (2^{50}) bytes.
- An exbibyte (EiB) is equal to 1,152,921,504,606,846,967 (2^{60}) bytes.

3.6 SPC-1 Parameter Types

3.6.1 Integer

An integer parameter is capable of storing discrete, signed values. The range is operating system and/or compiler dependent, but must be a minimum of 32 bits, including the sign bit (-2,147,483,648 to 2,147,483,647).

3.6.2 Long Integer

A long integer parameter is capable of storing discrete, signed values. The range is operating system and/or compiler dependent, but must be a minimum of 64 bits, including the sign bit (-9,223,372,036,854,775,808 to 9,223,372,036,854,775,807).

3.6.3 **Real**

A real parameter is capable of storing positive and negative continuous values. The range is operating system and/or compiler dependent, but must have a minimum range of from -10^{-32} to 10^{32} with a minimum resolution of 16 significant digits.

3.6.4 **ASCII string**

An ASCII string parameter consists of a variable length sequence of ASCII characters (8 bits per character), with a zero byte terminating the string.

3.6.5 **Distribution**

The distribution is a special data type that has been implemented specifically for the SPC parameter list. This data type contains sufficient information to characterize a distribution that may be used for certain parameters. This data type consists of several components.

3.6.5.1 **Distribution type**

The type of distribution is indicated by an integer variable. The legal types of distributions are:

0. Constant – A single number. The value of this number is contained in the first element of the distribution parameter list.
1. Uniform – A number that is uniformly distributed between (and including) two values. The lower of these values is contained in the first element of the distribution parameter list, and the upper value is contained in the second element.
2. Exponential – A number that is exponentially distributed with a mean value contained in the first element of the distribution parameter list.
3. Table – A table distribution is an n-dimensional array containing the discrete table values. There is no limit on the number of dimensions or entries in the array. The pointer component (section) of the distribution data type points to the start of the array. The contents of the array are undefined, and must be specified for each case.
4. Incremental: An ascending series of values. This distribution has four associated parameters, incremental (start, startvar, stride, length).

The first parameter “start”, which is required, defines the first value of a monotonically increasing sequence. “start” is a real number [0,1] representing the mean of the location within the ASU address range that the sequence begins, given as a fraction of the total address range, and modified by the “startvar” parameter. The sequence will increase to the highest possible value, and then begin again at a new first value, repeating.

The second parameter “startvar”, which is optional, is a real number [0,1] representing the fraction of the total ASU extent through which the “start” value can be varied. If “startvar” is zero, the “start” value is always used when the first

ASU address is required in a sequence. If “startvar” is nonzero, a new first value is computed each time the lowest ASU address is required, and is computed as a uniformly distributed random number within \pm startvar/2 of the mean, “start”. If “start+startvar/2” is > 1 , the value of 1 will be used for the upper limit of the first value in a sequence. If “start - startvar/2” is ≤ 0 , the value of 0 will be used for the lower limit of the first value of a sequence. If “startvar” is not present, its value is assumed to be zero.

The third parameter, “stride”, which is optional, defines the gap between values in the series. “stride” is an integer representing the number of blocks between each value in the series. Since I/O transfer size is variable, even within a stream, “stride” must be related to the I/O size. A “stride” of zero is used to generate a sequence of values in which the next value = old value + transfer size. If “stride” is not supplied, a value of zero is assumed. A “stride > 0 implies the new value = old value + transfer size + stride. A stride < 0 is always interpreted as a sequence of I/Os in which the address is always the same.

The fourth parameter, “length” which is optional, is used to define the upper extent of the generated sequence. “length” is a real number (0,1] representing the fraction of the total address space over which the sequence is generated, relative to the first value of the sequence. “length” is added to each new computed first value to determine the upper extent of the series. If “length” is not present, the sequence will be generated from its start value, up to 1, and then will repeat beginning at the new start value.

For example, incremental (0.35, 0.7, 8, 0.3) will generate a sequence with start address at 35% of the total address space, $\pm 35\%$. The sequence will have a gap of (8 blocks + transfer size) between each I/O start address. The highest address generated will be 30% of the total address space higher than the first value, or at 70% of the total address space if the first value is at 40%. The sequence will continue until the stream is terminated through other means.

5. Random access pattern R1 – A random walk with “hierarchical reuse” behavior (see Appendix E), using a leaf size of 65536 bytes and parameters $k=6$, $v=.44$. Upon the first read to a given leaf, the first 8192-byte block is read from that leaf. Subsequent reads to the leaf read the second block, the third block, and so on, wrapping back to the first block after reading the last. (Note: if multiple, logically distinct random walks are occurring concurrently within the same ASU, the first and subsequent reads to a given leaf are implemented as just described, regardless of whether they are associated with the same or with logically distinct random walks). (see Clause 3.7.3.4)
6. Random access pattern W1 – Also a random walk with “hierarchical reuse” behavior, using a leaf size of 65536 bytes and parameters $k=6$, $v=.44$. The leaf L0 initially selected in this manner, however, is then used to obtain the final leaf selection $L = 8 * \text{Floor}(L0/8)$. Within the selected leaf, the 8192-byte block to be written is determined as follows. With 50 percent probability, the 8192-byte block is chosen using a random uniform distribution across all blocks of this size contained in the leaf. With the remaining 50 percent probability, the most recently read block is chosen. Once the full address of the write operation is obtained, as just described, then with an 85 percent probability, a single write is performed to the selected address. With the remaining 15 percent probability,

two writes are performed to this address (that is, an exception occurs to the random walk scheme, in that no step is taken prior to the second write of the pair). (see Clause 3.7.3.4)

As new distributions become necessary, they will be added to this list in a monotonically increasing sequence.

3.6.5.2 Result type

The result type indicates whether the resulting value from the distribution is integer or real. There are three possible values for this field:

1. Integer – The output of the distribution is an integer.
2. Long - The output of the distribution is a long integer.
3. Real – The output of the distribution is a real number.

3.6.5.3 Distribution parameter list

The distribution parameters consist of a list of ten real numbers. The values contained in these fields may be used as part of the distribution function. The number of values that are used is function dependent, and may range from none to all ten.

3.6.5.4 Extended pointer

The extended pointer is used when it is necessary to include more than ten discrete parameters or when a singly dimensioned list is not adequate. The primary use of this pointer is when a table distribution is required. The data structure that is pointed to by this element is not defined by this document.

3.7 SPC-1 Workload Parameters

3.7.1 Overview

A set of parameters is required for each IO STREAM that is present in the SPC-1 WORKLOAD. These parameters are passed to the SPC-1 WORKLOAD GENERATOR. The set of parameters will enable the SPC-1 WORKLOAD GENERATOR to create and submit a stream of individual I/O REQUESTS to the application storage unit.

Conceptually, the SPC-1 WORKLOAD GENERATOR will examine the parameters, and by using the values contained in these parameters, generate a sequence of I/O REQUESTs, with each individual command being issued at the appropriate time. All SPC workload parameters are present, but may not be applicable.

3.7.2 Transfer Alignment

3.7.2.1 Description

The transfer alignment parameter determines whether the starting I/O address is aligned to any specific quantity. It is intended primarily for use with random accesses within a small range. This is due to the common practice of applications to only access data on certain address boundaries, such as database block size, page size, etc. In

essence, this is a modulus operator that will, after a starting address has been determined, force that address to modulo n , where n is the transfer alignment parameter, in blocks.

3.7.2.2 Parameter type

The transfer alignment parameter is an integer variable.

3.7.2.3 Acceptable values

The transfer alignment parameter may take on any positive value greater than or equal to zero. The upper limit is set by media size and/or integer length. If the value of this parameter is zero, then transfer alignment is disabled. If this parameter contains a non-zero value (n), then all transfer requests will be performed modulo n .

3.7.3 Stimulus Group

3.7.3.1 Description

Generally, I/O STREAMS work in isolation from one another. Some of the access patterns defined for the SPC-1 WORKLOAD (e.g., R1 or W1) require I/O STREAMS to interact to produce a required stimulus. The stimulus group parameter defines the number of instances of a given I/O STREAM that will work collectively to produce the required stimulus.

3.7.3.2 Parameter type

The stimulus group parameter is an integer variable.

3.7.3.3 Acceptable values

The stimulus group parameter may take on any positive value greater than or equal to 1. If the value of this parameter is 1, each instance of the defined I/O STREAMS operates in isolation. If this parameter contains a value greater than 1, such as n , then each n instances of the defined I/O STREAM will share a common state or context.

For SPC-1, where I/O STREAM definitions require collaboration between I/O STREAMS (i.e., data re-reference), each group of 100 SSUs will work together.

3.7.3.4 Data Re-reference

Data re-referencing occurs when an I/O references data that has been referenced previously. This allows those I/O STREAMS that would benefit from a random access cache to realize those benefits by having the I/O STREAMS perform the appropriate accesses.

In the SPC-1 benchmark, data re-reference is specified by applying an appropriate distribution to the selection of reference addresses. More specifically, certain I/O STREAMS of the SPC-1 benchmark, as specified in Clause 3.8, select the next transfer address by performing a random walk. The sequence of addresses visited in the random walk includes both those where reads are performed, and those where writes are performed. The next step of the random walk is computed, based upon the most recent visit location, by applying distribution R1 when it is intended to perform a read, and distribution W1 when it is intended to perform a write.

3.7.4 **Intensity Multiplier**

3.7.4.1 Description

The intensity multiplier parameter indicates the ratio of the traffic intensity of this I/O STREAM relative to the total traffic intensity of all I/O STREAMs.

3.7.4.2 Parameter type

The intensity multiplier parameter is a real (floating-point) variable.

3.7.4.3 Acceptable values

The intensity multiplier parameter may take on all positive values, including zero.

3.7.5 **Memory Alignment**

3.7.5.1 Description

The memory alignment parameter allows the data sent and received from an I/O operation to be placed in host computer memory on certain byte boundaries.

3.7.5.2 Parameter type

The memory alignment parameter is an integer variable specifying the byte alignment.

3.7.5.3 Acceptable values

The memory alignment parameter may take on any positive value greater than or equal to zero, although the most common cases will specify a power of 2. There are two cases:

- A value of zero indicates that memory alignment is disabled.
- A value of n indicates that all data transfers to and from memory will begin at a memory address that is evenly divisible by n bytes. As an example, in order to force quadword (64 bit) alignment, this parameter must be set to 8.

3.7.6 **Model Type**

3.7.6.1 Description

The model type parameter indicates whether the I/O STREAM follows an open or closed model.

3.7.6.2 Parameter type

The model type parameter is an integer variable.

3.7.6.3 Acceptable values

The model type parameter may take on one of the following values representing the workload type:

- Open
- Closed

3.7.7 **Population**

3.7.7.1 Description

The population parameter specifies the number of active instances of this I/O STREAM definition included within an ASU STREAM.

3.7.7.2 Parameter type

The population parameter is an integer variable.

3.7.7.3 Acceptable values

Each I/O STREAM of the SPC-1 WORKLOAD has a population of 1.

3.7.8 **Read Fraction**

3.7.8.1 Description

The read fraction parameter specifies the fraction of I/O REQUESTs that are reads.

3.7.8.2 Parameter type

The read fraction parameter is a distribution of real (floating-point) variables.

3.7.8.3 Acceptable values

The read fraction parameter may take on any positive real (floating point) value greater than or equal to zero and less than or equal to one.

3.7.9 **Stream Identifier**

3.7.9.1 Description

The stream identifier parameter, which is assigned by the SPC, is a value that uniquely identifies an I/O STREAM within a specific workload. The purpose of this parameter is to allow analysis programs to extract performance data for a specific I/O STREAM from a workload. Note that this value needs only to be unique within a workload; it is not required to be unique across all workloads.

3.7.9.2 Parameter type

This parameter is a variable length ASCII string.

3.7.9.3 Acceptable values

No restriction is placed on this parameter.

3.7.10 **Transfer Address**

3.7.10.1 Description

The transfer address parameter determines the target address of the next I/O that will be issued to the ASU.

3.7.10.2 Parameter type

The transfer address parameter is a distribution variable.

3.7.10.3 Acceptable values

The transfer address value must be greater than or equal to zero, and the sum of the transfer address and the transfer size must be less than or equal the capacity of the ASU.

3.7.11 **Transfer Size**

3.7.11.1 Description

The transfer size parameter specifies the number of LOGICAL BLOCKs to transfer.

3.7.11.2 Parameter type

The transfer size parameter is a long integer variable, except in the SMIX case defined in 3.7.11.3.

3.7.11.3 Acceptable values

Most I/O STREAMs use a transfer size specified as a positive integer constant. Other I/O STREAMs are defined with a value of SMIX, and use the distribution defined in [Table 3-1](#) to randomly select a transfer size for each IO operation.

Table 3-1 - SMIX Transfer Size Distribution

Transfer Size (blocks)	Probability
8	40%
16	24%
32	20%
64	8%
128	8%

3.7.12 Workload Identifier

3.7.12.1 Description

The workload identifier, which is common to all I/O streams in the workload, is a unique value assigned by the SPC to identify a specific workload. The purpose of this parameter is to allow an analysis program to extract performance information for a specific workload from a test that includes more than one workload.

3.7.12.2 Parameter type

This parameter is a variable length ASCII string.

3.7.12.3 Acceptable values

No restriction is placed on this parameter.

3.8 Detailed Workload Description

3.8.1 Overview

SPC-1 is designed to demonstrate the performance of a storage system or storage components while performing the typical functions of a business application. SPC-1 represents a segment of applications characterized by predominately random I/O operations as typified by a mail server application but not limited to that specific application type.

The storage for the SPC-1 WORKLOAD consists of three APPLICATION STORAGE UNITS (ASU):

- ASU-1: Data Store
- ASU-2: User Store
- ASU-3: Log/Sequential Write

Each ASU is the target of an ASU STREAMS that in turn is comprised of one or more distinct I/O STREAMS. The I/O STREAMS for each ASU are defined below by a set of parameters and parameter values.

Definitions and descriptions of each parameter type used to define the SPC-1 parameters may be found in Clause 3.7. Each SPC-1 parameter is defined and described in Clause 3.8.

3.8.2 ASU- 1: Data Store

3.8.2.1 Description

The Data Store (ASU-1) holds raw incoming data for the application system. As the application system processes the data it may temporarily remain in the data store, be transferred to the user store, or be deleted.

3.8.2.2 Stream Definitions

The Data Store has four parallel I/O STREAMs associated with it. There is a read and write stream that is uniformly distributed over the entire address space, as well as some highly localized I/O to specific areas of the ASU. Additionally, there is a sequential read stream present. The I/O intensity for this ASU STREAM represents 59.6% of the total SPC-1 I/O REQUEST traffic.

Table 3-2 - ASU 1 Parameter Types and Values

Parameter Type	I/O Stream 1	I/O Stream 2	I/O Stream 3	I/O Stream 4
ASU	1	1	1	1
Transfer alignment (512 byte blocks)	16	16	16	16
Stimulus group	1	100	1	100
Intensity multiplier	0.035	0.281	0.070	0.210
Memory alignment	16	16	16	16
Model type	Open	Open	Open	Open
Population	1	1	1	1
Read fraction	0.5	0.5	1.0	0.5
Stream identifier	"ASU 1-1"	ASU 1-2"	"ASU 1-3"	"ASU 1-4"
Transfer address	Uniform: 0.0 – 1.0	R1/W1: 0.15 – 0.2	Incremental (0.4, 0.4, 0, 0.1)	R1/W1: 0.7 – 0.75
Transfer size (512 byte blocks)	16	16	SMIX	16
Workload identifier	"SPC-1.30"	"SPC-1.30"	"SPC-1.30"	"SPC-1.30"

3.8.2.3 I/O Content

All write operations generated for this ASU STREAM will write from a buffer that has been uniquely generated content that matches one of the content types defined for SPC-1 (see 2.6). In aggregate, write operations generated for this ASU STREAM shall match the content mix defined in [Table 2-1](#) ~~Table 2-1~~.

3.8.2.4 Capacity

ASU-1 will hold 45.0% (+-0.5%) of the ASU CAPACITY.

3.8.3 ASU-2: User Store

3.8.3.1 Description

The User Store (ASU-2) holds information processed by the application system and is stored in a self-consistent, secure, and organized state. The information is principally

obtained from the data store, but may also consist of information created by the application or its users in the course of processing.

3.8.3.2 Stream Definitions

There are three parallel I/O STREAMS associated with ASU-2. Similar to the ASU-1, the User Store also has read write streams that are randomly distributed across the entire address space of the ASU. There are also localized I/O STREAMS, although there are fewer of these than are present on the Data Store. The I/O intensity for this ASU STREAM represents 12.3% of the total SPC-1 I/O REQUEST traffic.

Table 3-3 - ASU 2 Parameter Types and Values

Parameter Type	I/O Stream 1	I/O Stream 2	I/O Stream 3
ASU	2	2	2
Transfer alignment (512 byte blocks)	16	16	16
Stimulus group	1	100	1
Intensity multiplier	0.018	0.070	0.035
Memory alignment	16	16	16
Model type	Open	Open	Open
Population	1	1	1
Read fraction	0.3	0.3	1.0
Stream identifier	“ASU 2-1”	“ASU 2-2”	“ASU 2-3”
Transfer address	Uniform: 0.0 – 1.0	R1/W1: 0.47 – 0.52	Incremental (0.4, 0.4, 0, 0.1)
Transfer size (512 byte blocks)	16	16	SMIX
Workload identifier	“SPC-1.30”	“SPC-1.30”	“SPC1.30”

3.8.3.3 I/O Content

All write operations generated for this this ASU STREAM will write from a buffer that has been uniquely generated content that matches one of the content types defined for SPC-1 (see 2.6). In aggregate, write operations generated for this ASU STREAM shall match the content mix defined in [Table 2-1](#)~~Table 2-1~~.

3.8.3.4 Capacity

ASU-2 will hold 45.0% (+-0.5%) of the ASU CAPACITY.

3.8.4 ASU-3: Log/Sequential Write

3.8.4.1 Description

The Log (ASU-3) contains files written by the application system for the purpose of protecting the integrity of data and information the application system maintains in the Data and User stores.

3.8.4.2 Stream Definitions

This stream represents logging and other sequential write activity. The I/O intensity for this ASU STREAM accounts for 28.1% of the total SPC-1 I/O REQUEST traffic.

Table 3-4 - ASU 3 Parameter Types and Values

Parameter Type	I/O Stream 1
ASU	3
Transfer alignment (512 byte blocks)	16
Stimulus group	1
Intensity multiplier	0.281
Memory alignment	16
Model type	Open
Population	1
Read fraction	0.0
Stream identifier	"ASU 3-1"
Transfer address	Incremental (0.35, 0.7, 0, 0.3)
Transfer size (512 byte blocks)	SMIX
Workload identifier	"SPC-1.30"

3.8.4.3 I/O Content

All write operations generated for this ASU STREAM will write from a buffer that has been uniquely generated content that matches one of the content types defined for SPC-1 (see 2.6). In aggregate, write operations generated for this ASU STREAM shall match the content mix defined in [Table 2-1](#)~~Table 2-1~~.

3.8.4.4 Capacity

ASU-3 will hold 10.0% (+-0.5%) of the ASU CAPACITY.

Clause 4 Benchmark Configuration & Tested Storage Configuration

4.1 Definitions

- 4.1.1 The BENCHMARK CONFIGURATION (BC) consists of all hardware and software components used in the execution of the benchmark.
- 4.1.2 The TESTED STORAGE CONFIGURATION (TSC) consists of all software and hardware necessary to implement and support the three APPLICATION STORAGE UNITS (ASUs), as defined in Clause 2.4.

4.2 Component Availability and Support

All hardware and software used in the BENCHMARK CONFIGURATION must be commercially available and supported either as individual items or as a part of a larger package. Hardware and software used in the BENCHMARK CONFIGURATION that is not included in the TESTED STORAGE CONFIGURATION is exempt from the preceding requirement if it is no longer commercially available and/or supported due to obsolescence.

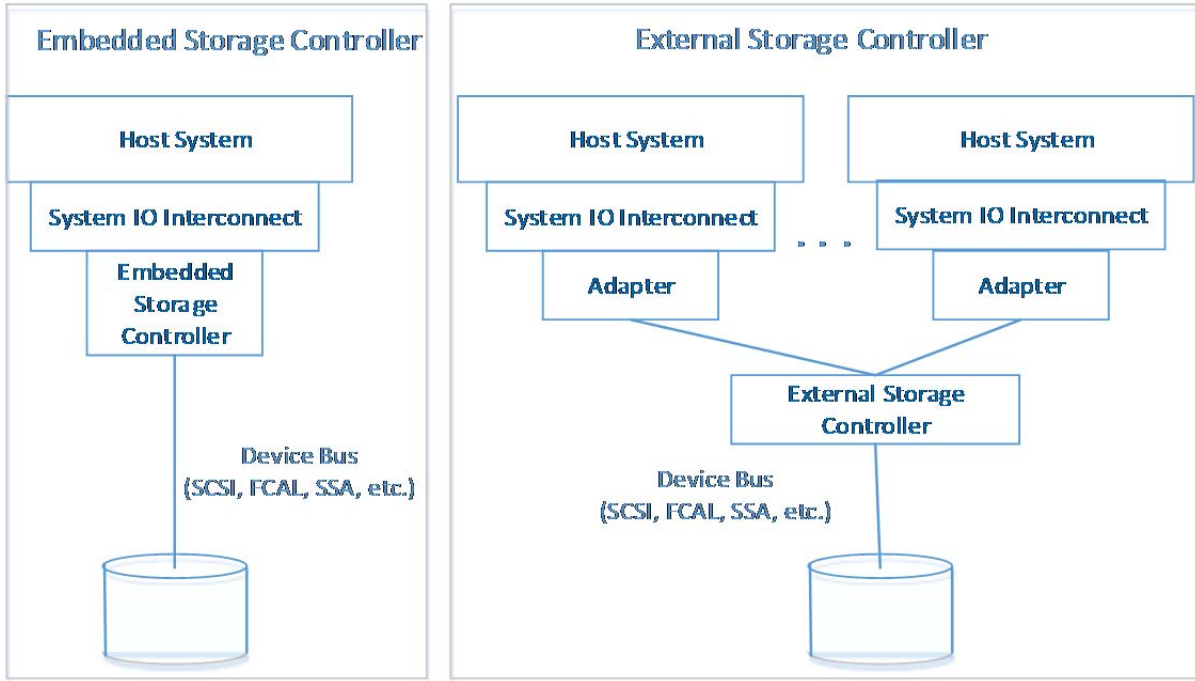
Comment: *The intent is to allow the use of components in the BENCHMARK CONFIGURATION that were at one time commercially available and supported as long as the components are not a part of the TESTED STORAGE CONFIGURATION.*

4.3 Benchmark Configuration Components

4.3.1 Host System

- 4.3.1.1 The HOST SYSTEM(s) consist of one or more computer systems where the SPC-1 WORKLOAD GENERATOR executes.
- 4.3.1.2 The HOST SYSTEM is responsible for organizing and managing the underlying LOGICAL VOLUMES used to implement the ASUs.
- 4.3.1.3 The HOST SYSTEM(s), shall not cache or buffer any data associated with implementing the ASUs on the BC nor be used to cache or buffer any ASU data.

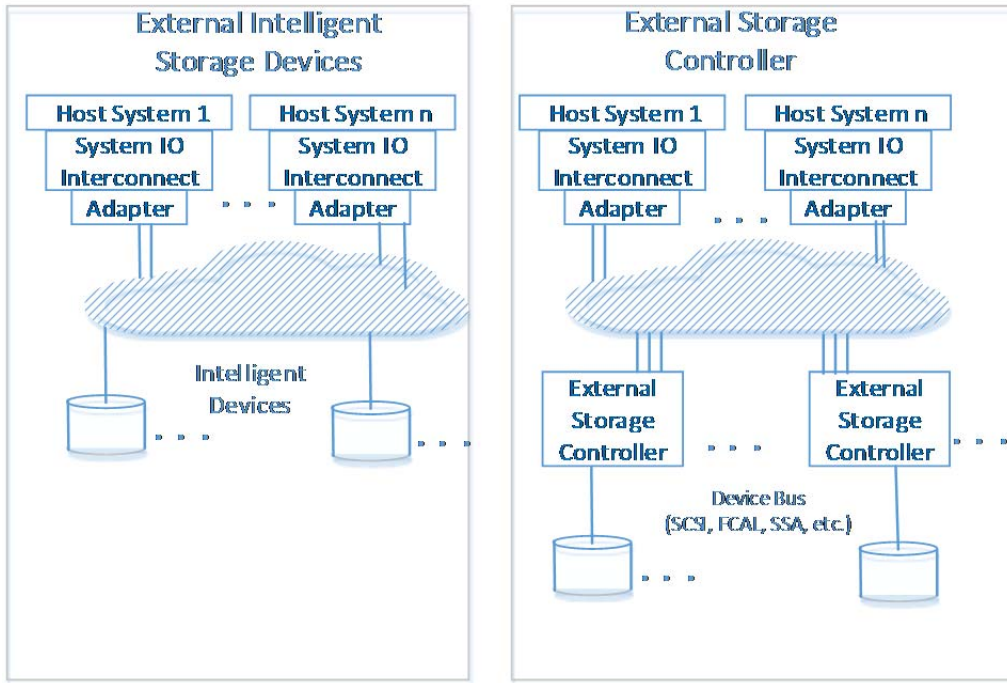
Figure 4-1 Sample Benchmark Configurations: Direct Attach Storage



4.4 Benchmark Configuration Examples

TEST SPONSORS may utilize a wide range of BENCHMARK CONFIGURATIONS. The diagrams in Figure 4-1 and Figure 4-2 are examples of acceptable BENCHMARK CONFIGURATIONS, but should not be considered as the only valid BENCHMARK CONFIGURATIONS.

Figure 4-2 External Storage Configurations



A TEST SPONSOR may utilize a configuration that is different from the provided examples. In such a case, the TEST SPONSOR is encouraged to contact the SPC prior to engaging in an audit to ensure the proposed configuration will meet the SPC benchmark requirements.

4.5 Tested Storage Configuration Components

4.5.1 Host System Inclusion

Each HOST SYSTEM in the BENCHMARK CONFIGURATION must be included as a priced TESTED STORAGE CONFIGURATION component if any of the following conditions are true:

- The HOST SYSTEM contains an integral component that is a TSC hardware component, which cannot be unplugged and moved to a different HOST SYSTEM.
- The HOST SYSTEM contains STORAGE DEVICES that are connected internally as integral HOST SYSTEM components.
- The HOST SYSTEM implements TSC data protection as required in Clause 2.8.

An example of a TSC that includes the HOST SYSTEM as a priced TSC component is described in Clause 4.5.5 and illustrated in [Figure 4-4](#).

Comment: *HOST SYSTEMS may provide one or more of the following functionalities and not be included as a priced TSC component:*

- Organize and manage the underlying LOGICAL VOLUMES that comprise the APPLICATION STORAGE UNITS.
- Provide RAID 0 (striping).

TEST SPONSORS should request a recommendation from the SPC Compliance Review Committee, if the above wording does not clarify the TSC component status of a HOST SYSTEM in their BENCHMARK CONFIGURATION.

4.5.2 Multiple Storage Subsystem Configurations

A TEST SPONSOR may choose to configure multiple, physically distinct storage subsystems in a BENCHMARK CONFIGURATION. In such a case, the TSC must provide a logically cohesive storage solution. In particular, its architecture must include a recognizable layer or component that unifies the response to I/O requests such that any portion of the storage can be accessed by any given request regardless of the physical origin of the request.

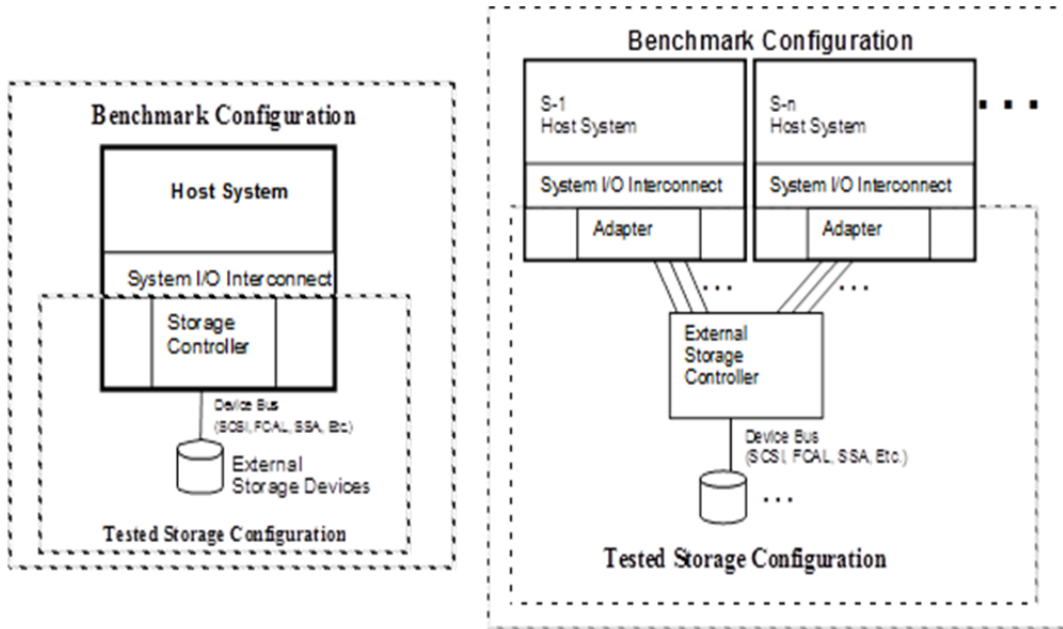
Comment: *it is the intent of this clause to forbid the use of multiple functionally-independent storage products in the same TSC, if they are not tied together by an architectural layer as just described.*

4.5.3 Tested Storage Configuration Examples

Clauses 4.5.4-4.5.6 describe and illustrate several typical TESTED STORAGE CONFIGURATIONS, including the boundary between the HOST SYSTEM and TSC (TSC BOUNDARY). Those examples should not be considered the only valid TESTED STORAGE CONFIGURATIONS.

A TEST SPONSOR may utilize a configuration that is different from the examples provided. In such a case, the TEST SPONSOR is encouraged to contact the SPC prior to engaging in an AUDIT to ensure the proposed configuration will meet the SPC benchmark requirements.

Figure 4-3 Embedded or External Controller – External Storage Devices



4.5.4

Embedded or External Storage Controller – External Storage Devices

Figure 4-3 illustrates two BENCHMARK CONFIGURATIONS. The first BC includes a TESTED STORAGE CONFIGURATION comprised of an embedded storage controller and external STORAGE DEVICES. The second BC includes a TSC comprised of an external storage controller and external STORAGE DEVICES.

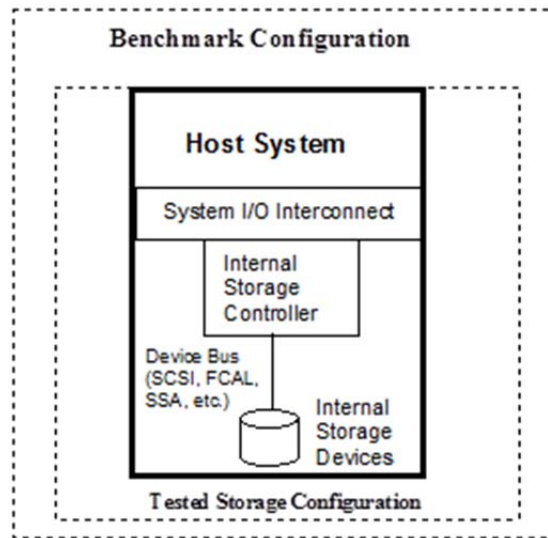
The components that comprise the TSC typically include:

- A storage controller that plugs into a system I/O interconnect on the HOST SYSTEM
- Batteries used to maintain power to cache/memory in the storage controller in the event of unexpected power failure.
- Cabling between the storage controller and the STORAGE DEVICES used to implement the ASUs.
- All cabinetry used to house components of the TSC (excluding the cabinetry, cooling, power, and monitoring systems required to house the storage controller embedded in the HOST SYSTEM cabinet).
- Environmental monitoring systems and related cabling used to monitor the health of components of the TSC.
- Fans used to cool components of the TSC.
- Power supplies and related cabling used to power components of the TSC.
- Power distribution systems and related cabling in cabinetry used to route power to the

individual component power supplies in the TSC.

- All management software necessary to present the ASUs to the SPC-1 WORKLOAD GENERATOR.
- STORAGE DEVICES to provide the various levels of storage described in Clause 2.

Figure 4-4 Embedded Storage Controller – Embedded Storage Devices



4.5.5 Embedded Storage Controller – Embedded Storage Devices

A TSC that utilizes HOST SYSTEM components is illustrated in **Error! Reference source not found.**

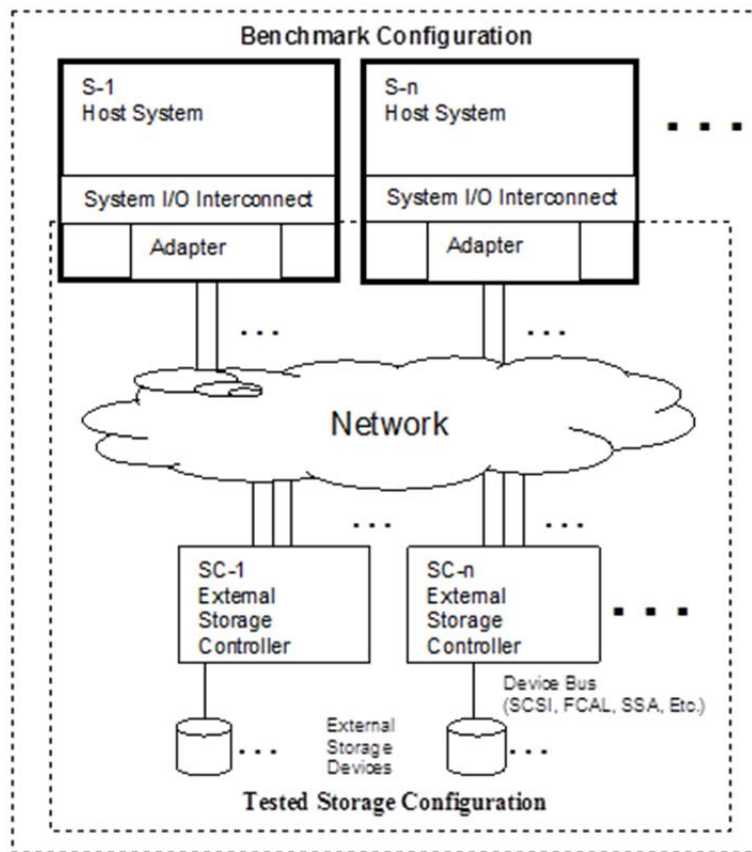
The components that comprise the TSC typically include:

- A storage controller that either plugs into a system I/O interconnect on the HOST SYSTEM or is an integral HOST SYSTEM component.
- Batteries used to maintain power to cache/memory in the storage controller in the event of unexpected power failure.
- STORAGE DEVICES to provide the various levels of storage described in Clause 2. The STORAGE DEVICES may either be connected externally to the HOST SYSTEM or connected internally as an integral HOST SYSTEM component.
- Cabling between the storage controller and the STORAGE DEVICES used to implement the ASUs.
- All cabinetry used to house components of the TSC.
- Environmental monitoring systems and related cabling used to monitor the health of

components of the TSC.

- Fans used to cool components of the TSC.
- Power supplies and related cabling used to power components of the TSC.
- Power distribution systems and related cabling in cabinetry used to route power to the individual component power supplies in the TSC.
- All management software necessary to present the ASUs to the SPC-1 WORKLOAD GENERATOR.

Figure 4-5 Network Storage –External Storage Controller and Storage Devices



4.5.6 Network Storage – External Storage Controller and External Storage Devices

A network storage TSC utilizing external storage controllers and external STORAGE DEVICES as illustrated in [Figure 4-5](#).

The TSC typically includes the following components:

- One or more host bus adapters that connect the storage network into system I/O interconnect(s) on HOST SYSTEM(s).

- All network infrastructure including hubs, switches, bridges, routers, cables, connectors, as well as supporting cabinetry, cooling, power systems, and monitoring equipment/systems used to connect storage controllers the HOST SYSTEM(s).
- All software used to manage and maintain the network infrastructure.
- External storage controllers or domain controllers including:
 - Batteries used to maintain power to write cache in the storage controller in the event of unexpected power failure.
 - Cabinetry used to house the storage controller.
 - Monitoring systems and related cabling used to monitor the health of the storage controller.
 - Equipment used to cool the storage controller.
 - Power supplies and related cabling used to power the storage controller.
 - Power distribution systems and related cabling used to route power to the storage controllers.
 - All management software necessary to allow the storage controller(s) to present ASUs to the SPC-1 WORKLOAD GENERATOR.
- STORAGE DEVICES to provide the various levels of storage described in Clause 2.
- Cabling between the storage controller and the STORAGE DEVICES.
- Cabinetry used to house the STORAGE DEVICES.
- Monitoring systems and related cabling used to monitor the health of the STORAGE DEVICES.
- Equipment used to cool STORAGE DEVICES.
- Power supplies and related cabling used to power the STORAGE DEVICES.
- Power distribution systems and related cabling in STORAGE DEVICE cabinetry used to route power to the individual STORAGE DEVICE power supplies.
- All management software necessary to present and manage the ASUs to the SPC-1 WORKLOAD GENERATOR.

4.6 Tested Storage Product

The TESTED STORAGE PRODUCT (TSP) is a distinct, customer orderable product, which is the focal point of an SPC result. Each SPC result will be labeled with the formal name of the TSP.

Clause 5 SPC Test Methodology

5.1 Supporting Definitions

- 5.1.1 AVERAGE RESPONSE TIME: The sum of the RESPONSE TIMES for all MEASURED I/O REQUESTS within a given interval, divided by the total number of MEASURED I/O REQUESTS.
- 5.1.2 COMPLETED I/O REQUEST: An I/O REQUEST with a START TIME and a COMPLETION TIME
- 5.1.3 COMPLETION TIME: The time recorded by the SPC-1 WORKLOAD GENERATOR when an I/O REQUEST is satisfied by the TSC.
- 5.1.4 DATA RATE: The data volume transferred in a given interval divided by the duration of the interval, in seconds.
- 5.1.5 EXPECTED I/O COUNT: For any given I/O STREAM and TEST PHASE, the product of requested IO load in IOPs per second, the duration of the TEST PHASE in seconds, and the intensity multiplier parameter for that I/O STREAM as given in Clause 3.8.
- 5.1.6 FAILED I/O REQUEST: Any I/O REQUEST issued by the SPC-1 WORKLOAD GENERATOR that could not be completed or was signaled as failed by the OS running on the HOST SYSTEM . A FAILED I/O REQUEST has no COMPLETION TIME.
- 5.1.7 I/O REQUEST THROUGHPUT: The total number of MEASURED I/O REQUESTS in a TEST PHASE, divided by the duration of that TEST PHASE's MEASUREMENT INTERVAL, expressed in I/O per second (IOPS).
- 5.1.8 IN-FLIGHT I/O REQUEST: An I/O REQUEST issued by the SPC-1 WORKLOAD GENERATOR to the TSC that has a recorded START TIME, but does not complete within the MEASUREMENT INTERVAL.
- 5.1.9 MEASURED I/O REQUEST: An I/O REQUEST with a COMPLETION TIME occurring within the MEASUREMENT INTERVAL.
- 5.1.10 MEASURED INTENSITY MULTIPLIER: The percentage of all MEASURED I/O REQUESTS that were issued by a given I/O STREAM.
- 5.1.11 MEASUREMENT INTERVAL: The finite and contiguous time period from the end of the TRANSITION to the start of the RUNOUT.
- 5.1.12 RESPONSE TIME: For a measured I/O REQUEST, COMPLETION TIME minus START TIME.
- 5.1.13 RUNOUT: The finite and contiguous time period during which the IO load presented by the SPC-1 WORKLOAD GENERATOR to the TSC remains constant long enough for any IO issued during the MEASUREMENT INTERVAL to complete.
- 5.1.14 START TIME: The time recorded by the SPC-1 WORKLOAD GENERATOR when an I/O REQUEST is submitted for execution on the TSC.
- 5.1.15 STEADY STATE: The state in which the behavior of the TSC is stable and sustainable while the load presented to the TSC by the SPC-1 WORKLOAD GENERATOR is constant .

STEADY STATE is based on throughput and response time. As a general guideline, STEADY STATE is achieved when throughput and response time are stable and sustainable. Some behaviors, while not stable, still satisfy the STEADY STATE criteria, for example:

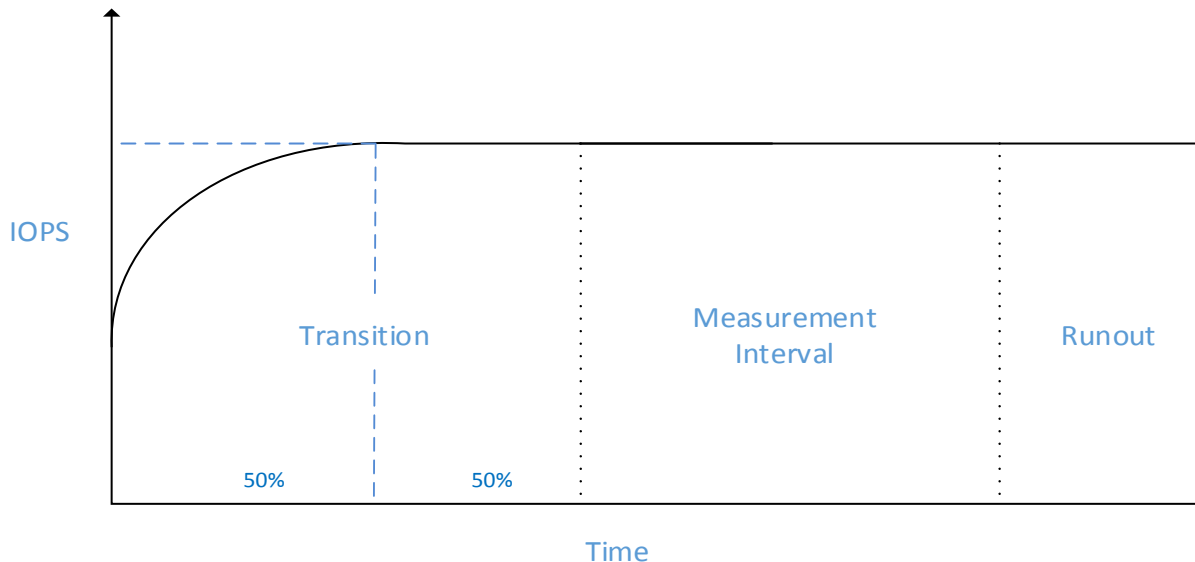
- Small and cyclical oscillation
- Brief excursion
- Significant but periodic events

Other behaviors, while following a stable dynamic, do not satisfy the STEADY STATE criteria, for example:

- Gradual and constant increase or decrease, amounting to a significant delta over the duration of a MEASUREMENT INTERVAL
- Sudden and permanent change in behavior

5.1.16 TEST: A collection of one or more TEST PHASES sharing a common objective.

Figure 5-1 Test Phase



5.1.17 TEST PHASE: The smallest logical component of a TEST , during which a data is collected to satisfy BENCHMARK requirements.

5.1.18 TRANSITION: The finite and contiguous time period during which the IO load presented by the SPC-1 WORKLOAD GENERATOR to the TSC is changing, either increasing or decreasing.

Comment: *The IO load presented to the TSC during a TEST PHASE may be zero and a TRANSITION may occur either from or to an I/O load of zero. The load levels shown during the transition portion of the figure are for illustration only and reflect a typical case.*

5.2 Test Phase

5.2.1 Each TEST is comprised of one or more TEST PHASES. All TEST PHASES have a common structure (illustrated in Figure 5-1) comprised of three distinct sub-phases, which occur in the following sequence:

- TRANSITION, during which the IO load presented by the SPC-1 WORKLOAD GENERATOR to the TSC is adjusted;
- MEASUREMENT INTERVAL, during which the TSC shall be in STEADY STATE;
- RUNOUT, during which the IO load presented by the SPC-1 WORKLOAD GENERATOR to the TSC remains constant long enough for any IO issued during the MEASUREMENT INTERVAL to complete.

5.2.2 Data about the TSC's response to the stimulus of the SPC-1 WORKLOAD GENERATOR must be collected during all three sub-phases of each TEST PHASE.

5.2.3 All TEST PHASE results or data used to compute results shall be obtained from the SPC-1 WORKLOAD GENERATOR's RESULTS FILES.

5.3 Requirements and Constraints

5.3.1 SPC Approved Workload Generator

All results must be produced using the current version of the SPC-1 toolkit. The documentation included with the SPC-1 toolkit is to be considered an extension of this benchmark specification and will describe the appropriate use of the tools within the SPC-1 toolkit. The procedures, requirements, and constraints described in the SPC-1 toolkit documentation must be adhered to in order to produce a compliant SPC-1 result.

5.3.2 SPC-1 Toolkit Precedence

In cases where the SPC-1 toolkit and this benchmark specification are in disagreement, the SPC-1 toolkit prevails. Therefore, any such disagreement may not serve as the basis for a compliance challenge. All aspects of the current version of the SPC-1 toolkit, as provided by the SPC, are deemed to be in compliance with this benchmark specification.

5.3.3 ASU Pre-Fill

5.3.3.1 Each of the ASUs defined for a WORKLOAD is required to be completely filled with specified content (see Clause 2.6) prior to execution of audited TESTS.

5.3.3.2 If any of the LOGICAL VOLUMES that support the ASUs ~~are-is~~ space-optimized (see 2.7), then the following shall be disclosed:

- the PHYSICAL FREE SPACE of the TSC, measured after the logical volumes have been created but before the start of the ASU pre-fill, and
- the PHYSICAL FREE SPACE available in the TSC, measured after the ASU pre-fill completes.

5.3.3.3 At the completion of the ASU pre-fill, the TEST SPONSOR must verify that the generated content matches the required content mix, using the SPC-1 WORKLOAD GENERATOR (see

6.3.4). If the verification fails, the ASU pre-fill must be re-run prior to the execution of the TEST PHASEs.

5.3.4 **Steady State**

The TSC shall be in STEADY STATE for the duration of each MEASUREMENT INTERVAL.

5.3.5 **Benchmark Configuration Consistency**

5.3.5.1 The physical and logical configuration of the BC shall not be changed across TESTs or TEST PHASEs.

5.3.5.2 Configuration and tuning parameters of the BC shall not be changed across TESTs or TEST PHASEs.

5.3.6 **Failed I/O Requests**

All I/O REQUESTs initiated during any TEST PHASE in the SPC benchmark must complete during that TEST PHASE. A FAILED I/O REQUEST shall result in an invalid TEST PHASE.

This requirement applies to all sub-phases (i.e., TRANSITION, MEASUREMENT INTERVAL and RUNOUT) within each TEST PHASE.

5.3.7 **No Permitted Warm Up**

5.3.7.1 Other than booting/starting the HOST SYSTEMs, bringing ASUs on-line for use by the SPC-1 WORKLOAD GENERATOR, and starting the SPC-1 WORKLOAD GENERATOR, no substantive work shall be performed on the BC prior to or in between SPC-1 TESTs or TEST PHASEs.

Comment: *It is the specific intent of this clause that the TEST SPONSORS not be allowed to optimize configuration or tuning parameters between TESTs or TEST PHASEs.*

5.3.8 **Adaptive Data Migration**

5.3.8.1 ADAPTIVE DATA MIGRATION causes ASU data to be migrated to alternate storage locations for subsequent access during TESTs.

5.3.8.2 Alternate storage locations, when used as destinations for migrated data, must use one or more type of supported STORAGE DEVICE.

5.3.8.3 Access to migrated data, during the TESTs, must be transparent to the SPC-1 WORKLOAD GENERATOR. When the SPC-1 WORKLOAD GENERATOR issues a reference to an ASU location, it is the responsibility of the TSC to transparently resolve the reference to the location of the migrated data.

5.3.8.4 If the ASUs exclude the storage which contains the alternate storage locations, that storage must provide data protection (see 2.8). The type of data protection provided by that storage need not be identical to the data protection specified provided by the storage that comprises the ASUs.

5.3.9 I/O Profile Preservation

5.3.9.1 Each execution of a MEASUREMENT INTERVAL during a TEST PHASE must produce MEASURED I/O REQUESTs that reflect the workload profiles that are defined in Clause 3.8.

5.3.9.2 For each I/O STREAM executed during a TEST PHASE, the MEASURED INTENSITY MULTIPLIER must satisfy at least one of following conditions:

- The stream's MEASURED INTENSITY MULTIPLIER may differ from the intensity multiplier parameter defined for that I/O STREAM by no more than 5% of the value provided in Clause 3.8;
- The rate of MEASURED I/O REQUESTs for that I/O STREAM shall differ from the product of intensity multiplier parameter and MEASURED I/O REQUESTs by no more than 1 I/O per second.

5.3.9.3 For each I/O STREAM executed during a TEST PHASE, the coefficient of variation for the MEASURED INTENSITY MULTIPLIER may be no more than 0.2, when calculated from the MEASURED INTENSITY MULTIPLIER reported at one minute intervals throughout the MEASUREMENT INTERVAL of the TEST PHASE.

Coefficient of variation is defined to be:

$$V = \frac{\textit{Stdev} (C)}{\textit{Mean} (C)}$$

where: V is the coefficient of variation
Stdev(C) is the standard deviation of the MEASURED INTENSITY MULTIPLIER
Mean(C) is the average of the MEASURED INTENSITY MULTIPLIER

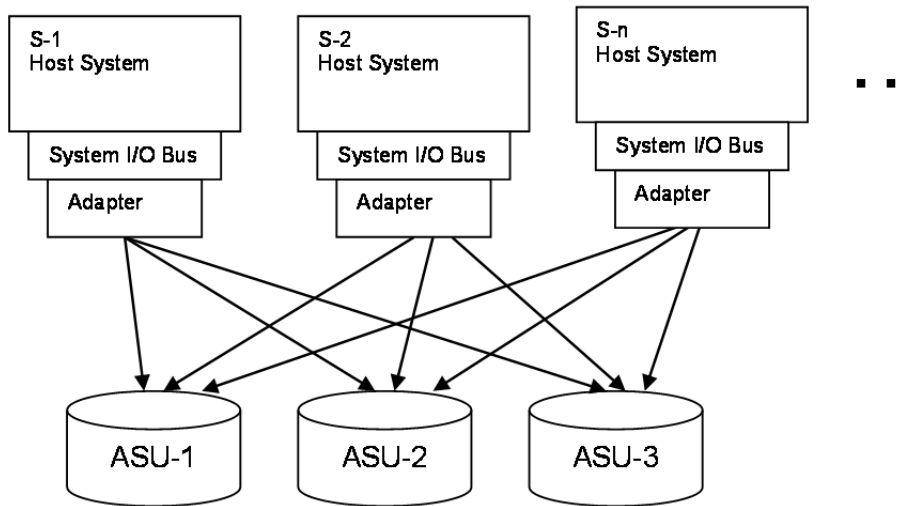
5.3.9.4 A benchmark execution that produces a MEASURED INTENSITY MULTIPLIER that does not satisfy the requirements defined in 5.3.9 is not compliant with this specification.

5.3.10 IO Generation

The SPC-1 WORKLOAD is generated by one or more instances of the SPC-1 WORKLOAD GENERATOR running on one or more HOST SYSTEMS that are part of the BENCHMARK CONFIGURATION (see Clause 4). For more information on the execution and configuration of the SPC-1 WORKLOAD GENERATOR, refer to the Users' Guide distributed with the toolkit for this benchmark specification.

The relationships between I/O STREAMs and ASUs are illustrated in [Figure 5-2](#)~~Figure 5-2~~.

Figure 5-2 IO Requests from Multiple Hosts



5.3.11 **Multi-Host Considerations**

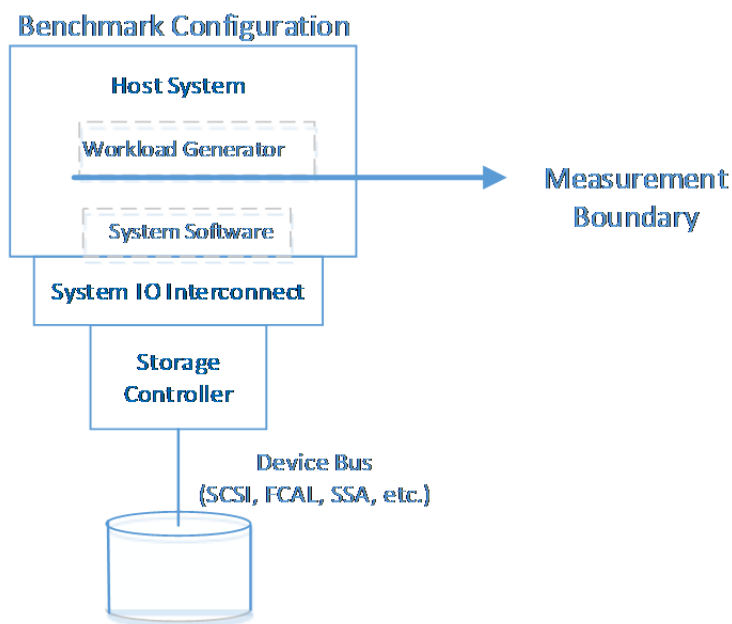
5.3.11.1 The TEST SPONSOR may choose to configure multiple HOST SYSTEMS in a BENCHMARK CONFIGURATION. In this case, the aggregate stimulus presented to each ASU from all HOST SYSTEMS shall preserve the workload parameters as defined in Clause 3.

5.3.11.2 Each instance of the workload generator, regardless of the host system on which it executes, must access all of the logical volumes that comprise the ASUs, and must preserve the workload parameters as defined in Clause 3. See [Figure 5-2](#) as an illustration of this requirement.

Comment: *It is the intent of this clause that multiple workload generators spread across multiple HOST SYSTEMS effectively behave as a single workload generator relative to the workload offered to the TSC.*

5.3.11.3 The mapping from an ASU's logical address to a STORAGE DEVICE's physical address must be identical for all instances of the workload generator, regardless of the host system on which it executes..

Figure 5-3 Measurement Boundary



5.3.12 Measurement Boundary

The MEASUREMENT BOUNDARY, (illustrated in [Figure 5-3](#)~~Figure 5-3~~) occurs within the SPC-1 WORKLOAD GENERATOR where I/O REQUEST START TIMES and COMPLETION TIMES are recorded.

5.3.13 Un-Buffered ASU Access

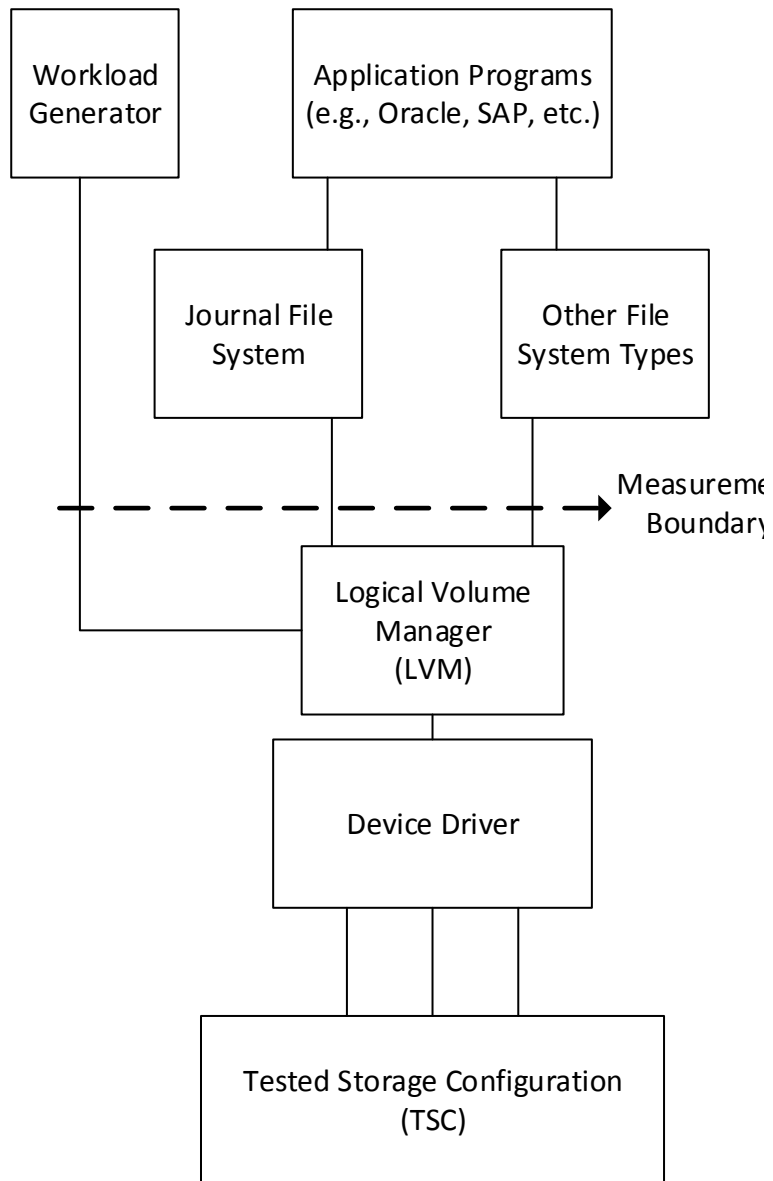
No file system functionality, such as caching or pre-fetching, provided by the HOST SYSTEM(s) may be used when accessing an ASU. As an example, the UNIX implementations of the SPC-1 WORKLOAD GENERATOR issues I/O Requests via the raw, un-buffered I/O interface. [Figure 5-4](#)~~Figure 5-4~~ illustrates that example.

All other operating system implementations of the SPC-1 WORKLOAD GENERATOR utilizes the operating system's mechanisms for performing I/O that is as close as possible to the raw, un-buffered I/O interface provided by UNIX.

5.3.14 No Operator Intervention

No user or operator intervention is allowed from the start of pre-fill to the completion of the persist_1 test phase.

Figure 5-4 Measurement Boundary



Clause 6 SPC-1 Measurement Requirements (Execution Rules)

6.1 Overview

An SPC-1 measurement includes the following TESTs:

- The PRIMARY METRICS TEST (Clause 6.3).
- The PERSISTENCE TEST (Clause 7).

6.2 General Guidelines

6.2.1 SPC-1 conforms to the general SPC test methodology defined in Clause 5 except where explicitly over-ridden by requirements in Clause 6 or Clause 7.

6.2.2 The required TESTs must be executed as part of an uninterrupted benchmark execution sequence. That uninterrupted sequence will consist of:

- ASU Pre-Fill (See 5.3.3),
- PRIMARY METRICS TEST (See 6.3), and
- PERSISTENCE TEST (See Clause 7).

6.2.3 The required sequence must be uninterrupted from the start of the ASU pre-fill to the completion of PERSISTENCE TEST, except as explicitly required by the execution rules. Uninterrupted means the BENCHMARK CONFIGURATION shall not be power cycled, restarted, disturbed, altered, or adjusted during the above measurement sequence. If the required sequence is interrupted other than for the HOST SYSTEM/TSC power cycle required during the PERSISTENCE TEST, the measurement is invalid.

6.2.4 The TEST SPONSOR may employ a reasonable number of attempts to complete the required, benchmark execution sequence.

6.2.5 An exception may be made by the AUDITOR to the above requirement for an uninterrupted benchmark execution sequence. If such an exception is made, it must have no impact on the reported metrics, and be documented in the “Anomalies or Irregularities” section of the SPC-1 FULL DISCLOSURE REPORT as well as the “Audit Notes” portion of the Audit Certification Report.

6.3 Primary Metrics Test

6.3.1 Test Phase Summary

The PRIMARY METRICS TEST is comprised of the following TEST PHASEs, which shall be executed in an uninterrupted sequence as defined in ~~Table 6-1 Table 6-1~~.

Table 6-1 Primary Metrics Test Phases

Test Phase Group	Test Phase	Load Percentage	Required Durations		
			Transition (minimum)	Measurement Interval	RunOut
	SUSTAIN	100	3 minutes	8 hours (minimum)	1 minute
Response Time Ramp	RAMPD_100	100	3 minutes	10 minutes	1 minute
	RAMPD_95	95	3 minutes	10 minutes	1 minute
	RAMPD_90	90	3 minutes	10 minutes	1 minute
	RAMPD_80	80	3 minutes	10 minutes	1 minute
	RAMPD_50	50	3 minutes	10 minutes	1 minute
	RAMPD_10	10	3 minutes	10 minutes	1 minute
	RAMPU_50	50	3 minutes	10 minutes	1 minute
	RAMPU_80	80	3 minutes	10 minutes	1 minute
	RAMPU_90	90	3 minutes	10 minutes	1 minute
	RAMPU_95	95	3 minutes	10 minutes	1 minute
	RAMPU_100	100	3 minutes	10 minutes	1 minute
	RAMP_0	0	3 minutes	10 minutes	1 minute
Repeatability	REPEAT_1_10	10	3 minutes	10 minutes	1 minute
	REPEAT_1_100	100	3 minutes	10 minutes	1 minute
	REPEAT_2_10	10	3 minutes	10 minutes	1 minute
	REPEAT_2_100	100	3 minutes	10 minutes	1 minute

6.3.2 General Requirements

6.3.2.1 The TRANSITION durations listed in ~~Table 6-1~~ ~~Table 6-1~~ are minimums, and may be increased at the TEST SPONSOR’s discretion.

6.3.2.2 The TRANSITION duration for each TEST PHASE in the PRIMARY METRICS TEST shall be identical with the exception of SUSTAIN, which is allowed to have a different TRANSITION duration.

Comment: *It is the intent of this clause to insure that the BC and TSC have demonstrated STEADY STATE in preparation for the reported SPC-1™ IOPS result.*

6.3.2.3 The TEST PHASES will be executed with a single invocation of the SPC-1 WORKLOAD GENERATOR, providing an uninterrupted sequence of TEST PHASES, with each TEST PHASE immediately following its predecessor.

6.3.2.4 The AVERAGE RESPONSE TIME will be computed and reported for each TEST PHASE and cannot exceed 30 milliseconds. If the AVERAGE RESPONSE TIME exceeds that 30-millisecond constraint for any TEST PHASE, the measurement is invalid.

6.3.2.5 The MEASURED INTENSITY MULTIPLIER for each I/O STREAM in a TEST PHASE must satisfy the I/O mix requirements defined in 5.3.9.

6.3.2.6 The TEST SPONSOR shall do nothing to impact the I/O REQUEST THROUGHPUT between the end of one TEST PHASE and the beginning of the next.

Comment: *The intent of this clause is to ensure the load presented to the TSC during the transition between the two TEST PHASEs remains under the control of the SPC-1 WORKLOAD GENERATOR, without any intervention from the TEST SPONSOR.*

6.3.2.7 The BC or TSC may not be restarted between the TEST PHASEs.

6.3.3 Sustain Test Phase

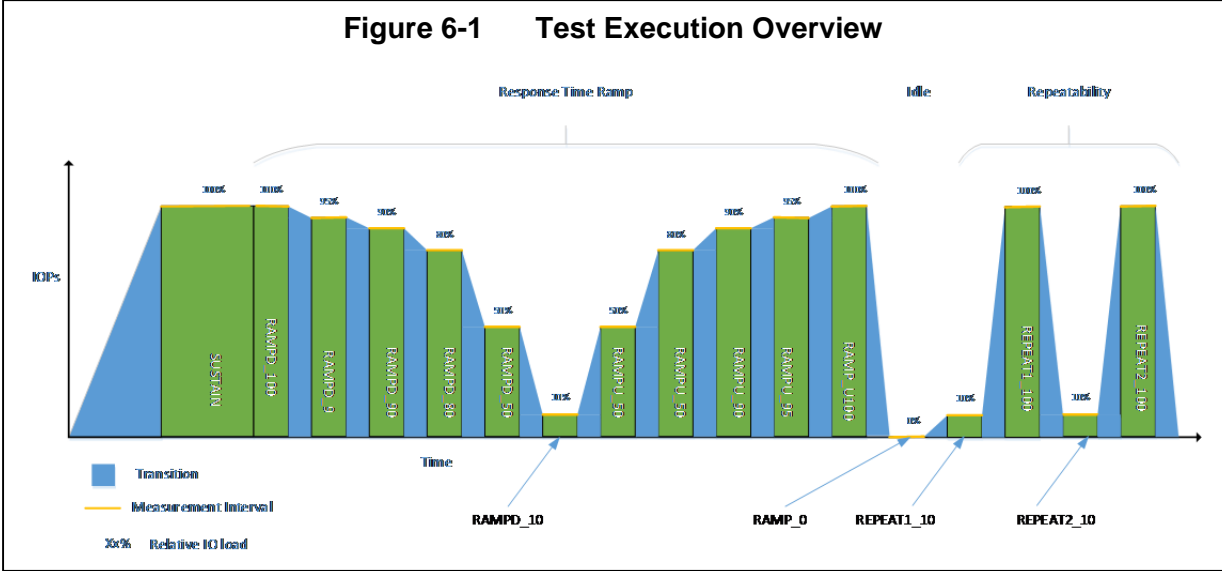
6.3.3.1 The SUSTAIN TEST PHASE demonstrates the maximum sustainable I/O REQUEST THROUGHPUT within a continuous MEASUREMENT INTERVAL of at least eight (8) hours.

Comment: *It is the intent of this test that customers, consultants, or competitors be able to easily demonstrate that an SPC-1™ IOPS result can be consistently maintained over long periods of time as would be expected in system environments with demanding long term I/O request throughput requirements.*

6.3.3.2 The computed I/O REQUEST THROUGHPUT of this TEST PHASE must be within 5% the reported SPC-1 IOPS™ result. Thus, the SUSTAIN TEST PHASE can constrain the reported SPC-1™ IOPS result. The SUSTAIN TEST PHASE must be run at the same IO load level as the RAMPD_100 TEST PHASE.

6.3.4 Content Verification

6.3.4.1 The execution of the PRIMARY METRICS TEST shall include a verification of content both before and after the performance tests as presented in ~~Table 6-1~~ ~~Table 6-1~~. The workload generator must gather samples for content verification immediately prior to the first performance test and immediately following the last performance test. The initial and final sample-gathering steps are referred to as VERIFY_1 and VERIFY_2, respectively. To establish run validity, both samples must meet the statistical criteria applied by the currently available version of the toolkit.



6.3.5 Response Time Ramp Test Phase Group

6.3.5.1 The TEST PHASES from RAMPD_100 through RAMP_100 (inclusive) constitute the RESPONSE TIME RAMP component of the PRIMARY METRICS TEST. By reporting AVERAGE RESPONSE TIME and I/O REQUEST THROUGHPUT at differing IO load levels, they demonstrate:

- The relationship between AVERAGE RESPONSE TIME and I/O REQUEST THROUGHPUT for the TSC (i.e., complete a response time/throughput curve).
- The (optimal) AVERAGE RESPONSE TIME of a lightly loaded TSC.

6.3.5.2 The IO load level required for a given TEST PHASE shall be the integer value resulting from truncating the product of the IO load level used to report the SPC-1™ IOPS test result and the load percentage for the TEST PHASE from ~~Table 6-1 Table 6-1~~.

6.3.5.3 The duration for each MEASUREMENT INTERVAL shall be equal to 10 minutes.

6.3.5.4 See Figure 6-1 for an illustration of the events and components of the Response Time Ramp TEST PHASES and their relationship to other TEST PHASES in this TEST. This figure illustrates all MEASUREMENT INTERVALS associated with the PRIMARY METRICS TEST. The figure is not to scale.

6.3.6 The final reported SPC-1 IOPS™ metric is deemed compliant, if the I/O REQUEST THROUGHPUT for the RAMP_100 TEST PHASE is greater than the reported SPC-1 IOPS™ metric minus 5%. As such, the RAMP_100 TEST PHASES will constrain the final reported SPC-1 IOPS™ metric.

Comment: *The intent is to apply a criterion similar to that used in the repeatability tests.*

6.3.7 Idle Test Phase

The idle test phase briefly quiescens the TSC.

6.3.8 Repeatability Test Phase Group

- 6.3.8.1 The TEST PHASES from REPEAT_1_10 through REPEAT_2_100 (inclusive) constitute the repeatability component of the Primary Metrics test. They demonstrate the repeatability and reproducibility of corresponding IO load points within the Response Time Ramp TEST PHASE GROUP.
- 6.3.8.2 The REPEAT_1_10 TEST PHASE must be identical to the REPEAT_2_10 TEST PHASE in terms of duration and IO load.
- 6.3.8.3 The REPEAT_1_100 TEST PHASE must be identical to the REPEAT_2_100 TEST PHASE in terms of duration and IO load.
- 6.3.8.4 If any of the four TEST PHASES is not compliant, all four must be repeated.
- 6.3.8.5 The final reported SPC-1 IOPS™ metric is deemed reproducible and repeatable if the I/O REQUEST THROUGHPUT for the REPEAT_1_100 and REPEAT_2_100 TEST PHASES are both greater than the reported SPC-1 IOPS™ metric minus 5%. As such, the Repeatability TEST PHASES will constrain the final reported SPC-1 IOPS™ metric.
- 6.3.8.6 The AVERAGE RESPONSE TIME from the RAMP_1_10 TEST PHASE is deemed reproducible and repeatable if the Average Response Time for the REPEAT_1_10 and REPEAT_2_10 TEST PHASES are each either less than the AVERAGE RESPONSE TIME from the RAMPD_10 TEST PHASE plus 5% or less than the AVERAGE RESPONSE TIME from the RAMPD_10 TEST PHASE plus one (1) millisecond (ms).
- 6.3.8.7 Each instance of the Repeatability TEST PHASES shall be run with a statistically distinct sequence of I/O REQUESTS to assure that prior cache contents do not affect the results of the current TEST PHASE. The Repeatability TEST PHASES shall be run uninterrupted.
- 6.3.8.8 If any of the LOGICAL VOLUMES that support the ASUs are space-optimized (see 2.7), then the PHYSICAL FREE SPACE of the TSC, measured after completion of the REPEAT_2_100 TEST PHASE shall be disclosed.

Clause 7 Data Persistence Requirements and Test

7.1 Introduction

LOGICAL VOLUMES and related APPLICATION STORAGE UNITS must demonstrate the ability to preserve data across extended periods of power loss without corruption or loss. To provide this “persistence” capability, the TESTED STORAGE CONFIGURATION must use LOGICAL VOLUMES and related ASUs that:

- Are capable of maintaining all committed data across power cycles and outages.
- Ensure the transfer of data between LOGICAL VOLUMES and HOST SYSTEMS ~~occurs~~ without corruption or loss.

7.2 Persistence Requirements

7.2.1 The TSC must be able to preserve all committed data in the event of any interruption of power. No test can conclusively prove that the TSC is capable of maintaining committed data through every unanticipated power loss. To satisfy the persistence requirements of SPC-1, the TEST SPONSOR must provide a written description of the mechanisms the TSC uses to persist committed data in the event of power loss (see 10.5.4.5), and the TSC must pass the persistence test as required by this clause.

7.2.2 In this specification, the phrase “committed data” refers to any data written by the application and positively acknowledged as written by the TSC.

Comment: *Data contained in write operations that were in-flight at the time of a power loss are not committed data.*

7.3 Persistence Test Validation

Validation that the PERSISTENCE TEST completed successfully is provided by the AUDITOR, attesting that the test has been satisfactorily completed on the BC per the test requirements below.

7.4 Test Phase Summary

7.4.1 Overview

During the PERSISTENCE TEST, the SPC-1 WORKLOAD GENERATOR writes a specific pattern at randomly selected locations throughout the ASU CAPACITY. Following an orderly shutdown, the SPC-1 WORKLOAD GENERATOR verifies the bit patterns at those locations.

The PERSISTENCE TEST is comprised of the TEST PHASES defined in ~~Table 7-1~~ Table 7-1.

Table 7-1 Persistence Test Phases

Test Phase Group	Test Phase	Load Percentage	Required Durations		
			Transition (minimum)	Measurement Interval	RunOut
	Persist1	25	3 minutes	10 minutes	1 minute
	Persist2	25	0	0	0

The IO load level required for a given TEST PHASE shall be at least the integer value resulting from truncating the product of the I/O load level used to generate the reported SPC-1 IOPS™ rate and the load percentage for the TEST PHASE from ~~Table 7-1~~ ~~Table 7-1~~.

The required duration values for Persist2 are chosen to allow the TEST PHASE to run until it has verified all writes done during the Persist1 TEST PHASE.

7.4.2 If either of the TEST PHASES defined in ~~Table 7-1~~ ~~Table 7-1~~ fails, the PERSISTENCE TEST must be re-run in its entirety. The TEST SPONSOR is allowed a reasonable number of attempts to complete the required TEST PHASE sequence.

7.4.3 **General Requirements**

7.4.3.1 The PERSISTENCE TEST conforms to the general SPC test methodology (see Clause 5) except where explicitly over-ridden in this clause.

7.4.3.2 The TRANSITION durations listed in ~~Table 6-1~~ ~~Table 6-1~~ are minimums, and may be increased at the TEST SPONSOR's discretion.

7.4.3.3 The TRANSITION duration listed in Table 7-1 for the Persist1 TEST PHASE is a minimum and may be increased at the TEST SPONSOR's discretion. The TRANSITION duration listed in Table 7-1 for the Persist2 TEST PHASE may not be changed.

7.4.3.4 The TRANSITION duration for each TEST PHASE in the PERSISTENCE TEST shall be identical.

7.4.3.5 The TEST PHASES will be executed with two separate invocations of the SPC-1 WORKLOAD GENERATOR, one for the Persist1 TEST PHASE and another for the Persist2 TEST PHASE.

7.4.3.6 Immediately following the completion of the Persist1 TEST PHASE, and prior executing the Persist2 TEST PHASE, the TEST SPONSOR's shall:

- Shutdown and power off the TESTED STORAGE CONFIGURATION (TSC). Any TSC caches employing battery backup must be flushed/emptied.
- If the TSC includes the HOST SYSTEM(s), shutdown and power off the HOST SYSTEM(s). Any TSC caches on the HOST SYSTEM(s) employing battery backup must be flushed/emptied. If the TSC does not include the HOST SYSTEM(s), there is no requirement for the HOST SYSTEM configuration to be shutdown and power cycled.
- Restart the TSC and, if the HOST SYSTEM(s) were shutdown, restart the HOST SYSTEM(s).

7.4.3.7 If the results of Persistence2 TEST PHASE verify the bit patterns are correct and at the proper location, the PERSISTENCE TEST completes successfully. If the Persistence2 TEST PHASE reports any verification error, the PERSISTENCE TEST fails.

Clause 8 Reported Data

8.1 SPC-1 Reported Data

SPC-1 REPORTED DATA consists of the following two groups of information:

- SPC-1 PRIMARY METRICS (defined in 8.2)
- SPC-1 SECONDARY METRICS (defined in 8.3) and
- SPC-1 ASSOCIATED DATA (defined in 8.4).

8.2 SPC-1 Primary Metrics

8.2.1 Overview

The SPC-1 PRIMARY METRICS consist of SPC-1 IOPS™ and SPC-1 PRICE-PERFORMANCE™, as defined in the following clauses.

8.2.2 SPC-1 IOPS™

8.2.2.1 SPC-1 IOPS™ is intended to rigorously document the maximum attainable I/O REQUEST THROUGHPUT of the TSC. It is defined as the I/O REQUEST THROUGHPUT reported for the RAMPD_100 TEST PHASE as described in 6.3.

8.2.2.2 All public references to this metric must be labeled as “SPC-1 IOPS™” and expressed rounded down to the nearest integer.

8.2.3 SPC-1 Price-Performance™

8.2.3.1 SPC-1 PRICE-PERFORMANCE is defined as a ratio of the TOTAL SYSTEM PRICE as defined in 9.3, to the SPC-1 IOPS™. It is calculated as:

$$\text{SPC-1 Price-Performance}^{\text{TM}} = T/(I/1000)$$

Where:

T is TOTAL SYSTEM PRICE

I is SPC-1 IOPS™.

8.2.3.2 SPC-1 PRICE-PERFORMANCE must be reported to a resolution of the smallest negotiable whole unit of the pricing currency in which TOTAL SYSTEM PRICE is reported, per Clause 9.7.5. For example, configurations priced in US dollars would report SPC-1 PRICE-PERFORMANCE to a resolution of \$0.01, rounded up to the nearest cent.

8.2.3.3 All public references to this metric must be labeled as “SPC-1 Price-Performance” and presented as \$xxx.xx/SPC-1 KIOPS™.

8.3 SPC-1 Secondary Metrics

8.3.1 Overview

The SPC-1 SECONDARY METRICS consist of SPC-1 IOPS™ RESPONSE TIME, SPC-1 Average Response Time, ASU CAPACITY, SPC-1 ASU PRICE PER GB, and SPC-1 SPACE EFFECTIVENESS RATIO, as defined in the following clauses, or in 10.7.

8.3.2 SPC-1 IOPS™ Response Time

8.3.2.1 SPC-1 IOPS™ RESPONSE TIME is the AVERAGE RESPONSE TIME reported for the RAMPD_100 TEST PHASE as defined in 6.3.

8.3.2.2 All public references to this metric must be labeled as “SPC-1 IOPS™ Response Time” and expressed in millisecond (ms) with at least 3 digits of precision.

8.3.3 SPC-1 Overall Response Time

8.3.3.1 The SPC-1 Overall Response Time is calculated from the AVERAGE RESPONSE TIME for the following TEST PHASEs: RAMPD_100, RAMPD_95, RAMPD_90 DOWN, RAMPD_80, RAMPD_50 and RAMPD_10.

8.3.3.2 SPC-1 Overall Response Time is calculated as follows, based on the Throughput and Response Time components listed in Table 8-1.

Table 8-1 Overall Response Time Components

Test Phase	Throughput	Response Time
RAMPD_100 (IOPS)	R100T	R100RT
RAMPD_95	R95T	R95RT
RAMPD_90	R90T	R90RT
RAMPD_80	R80T	R80RT
RAMPD_50	R50T	R50RT
RAMPD_10	R10T	R10RT

$$N = 0.5*(R100RT+R95RT)*(R100T-R95T) + 0.5*(R95RT+R90RT)*(R95T-R90T) + 0.5*(R90RT+R80RT)*(R90T-R80T) + 0.5*(R80RT+R50RT)*(R80T-R50T) + 0.5*(R50RT+R10RT)*(R50T-R10T)$$

$$\text{SPC-1 Overall Response Time} = N / (R100T - R10T)$$

8.3.3.3 All public references to this metric must be labeled as “SPC-1™ Overall Response Time” and expressed in millisecond (ms) with at least 3 digits of precision.

8.3.4 SPC-1 ASU Capacity

8.3.4.1 SPC-1 ASU CAPACITY is defined in Clauses 2.4.7.

- 8.3.4.2 All public references to this metric must be labeled as “SPC-1 ASU Capacity” and expressed in GB, rounded down to the nearest integer.
- 8.3.5 **SPC-1 ASU Price**
- 8.3.5.1 SPC-1 ASU PRICE is defined as the ratio of TOTAL SYSTEM PRICE to SPC-1 ASU CAPACITY (TOTAL SYSTEM PRICE / SPC-1 ASU CAPACITY).
- 8.3.5.2 SPC-1 ASU PRICE must be reported to a resolution of the smallest negotiable whole unit of the pricing currency in which TOTAL SYSTEM PRICE is reported, per Clause 9.7.5. For example, configurations priced in US dollars would report SPC-1 ASU PRICE to a resolution of \$0.01/GB, rounded up to the nearest cent.
- 8.3.5.3 All public references to this metric must be labeled as “SPC-1 ASU Price” and expressed as “\$xxx.xx/GB”.
- 8.3.6 **Total System Price**
- 8.3.6.1 TOTAL SYSTEM PRICE is the total three-year pricing as defined in Clause 9.3.
- 8.3.6.2 TOTAL SYSTEM PRICE must be reported to a resolution of the smallest negotiable whole unit of the pricing currency used in the pricing, per Clause 9.7.5. For example, configurations priced in US dollars would report TOTAL SYSTEM PRICE as \$12,345.67.
- 8.3.6.3 All public references to this metric must be labeled as “SPC-1 Total System Price” and expressed as “\$xx,xxx.xx”.

8.4 SPC-1 Associated Data

8.4.1 Overview

The SPC-1 ASSOCIATED DATA consist of TOTAL SYSTEM PRICE of the PRICED STORAGE CONFIGURATION as defined in 9.8.1.4, ~~TOTAL PHYSICAL~~PHYSICAL STORAGE CAPACITY, DATA PROTECTION LEVEL, TESTED STORAGE PRODUCT (TSP) category, and SPC-1 SUBMISSION IDENTIFIER.

8.4.2 Data Protection Level

- 8.4.2.1 DATA PROTECTION LEVEL is defined in Clause 2.8.
- 8.4.2.2 All Public references to the DATA PROTECTION LEVEL of a SPC-1 RESULT must state either “Protected 1” or “Protected 2”, as appropriate.

8.4.3 Physical Storage Capacity

- 8.4.3.1 PHYSICAL STORAGE CAPACITY is defined in Clause 2.2.7.
- 8.4.3.2 All public references to this metric must be labeled as “Physical Storage Capacity” and expressed in GB, rounded down to the nearest integer.

8.4.4 **SPC-1 Submission Identifier**

The SPC-1 SUBMISSION IDENTIFIER is a unique identifier, assigned by the SPC, for each new SPC-1 RESULT.

8.5 **SPC-1 Results – Public Use Requirements**

Section 11.2.1 of the SPC Policies and Guidelines defines the requirements for public use of SPC-1 RESULTS. The following clauses present public use requirements in the context of SPC-1 RESULTS. Section 11.2.1 of the SPC Policies and Guidelines should be reviewed in its entirety to ensure compliance with the complete set of requirements.

8.5.1 **Referencing Non-Local Currency Reported Data**

A public reference, which includes SPC-1 PRICE-PERFORMANCE and/or SPC-1 TOTAL SYSTEM PRICE, for an SPC-1 RESULT that uses non-local currency pricing (*Clause 9.7.5.2*) must include a clear statement of the currency used and the TARGET COUNTRY (*Clause 9.7.4*). For example, “SPC-1 Pricing is in U.S. dollars for product availability, sales, and support in People’s Republic of China”.

8.5.2 **Referencing a Single SPC-1 Result**

8.5.2.1 A public reference to an SPC-1 RESULT is required include one of the following:

- A complete URL (hyperlink) to the SPC-1 RESULT’s entry on the “SPC-1 Results” page of the SPC website.
- The complete set of SPC-1 REPORTED DATA as defined in Clause 8.1. This set of information must use the same font style, font size, and text clarity for every item in the set. The set of information may appear as a text paragraph or table of information.
- In either case, the public reference must include the “current as of” date.

8.5.2.2 Any of the SPC-1 REPORTED DATA may be used in a public reference without stating the complete set of SPC-1 REPORTED DATA as long as the following requirements are met:

- The URL defined in Clause 8.5.2.1 is included in the public reference.
- The public reference includes the “current as of” date.

8.5.3 **Referencing Two or More SPC-1 Results**

If a public reference of two or more SPC-1 RESULTS does not include any comparison of SPC-1 REPORTED DATA, the requirements in Clauses 8.5.1 and 8.5.2 are applicable.

8.5.4 **Comparing Two or More SPC-1 Results**

SPC-1 REPORTED DATA may be used in a public reference to compare two or more SPC-1 RESULTS under the following conditions:

- In addition to the SPC-1 reported data used in the comparison, each referenced spc-1 result must include either the complete set of SPC-1 reported data or the URL defined in Clause 8.5.2.1.

- If the complete set of SPC-1 reported data is included for one of the referenced SPC-1 RESULTS, the complete set of SPC-1 REPORTED DATA must be included for all of the referenced results.
- The public reference must include the “current as of” date.
- If the public reference consists of printed or displayed materials, the required items in #1, #2 and #3 for each SPC-1 RESULT must use the same font style, font size, and text clarity.
- The pricing currency and target country must both be identical when a comparison includes SPC-1 PRICE-PERFORMANCE and/or SPC-1 TOTAL SYSTEM PRICE.

Clause 9 Pricing

9.1 Overview

This clause defines the components and methodology necessary to calculate required three-year pricing and the SPC-1 PRICE-PERFORMANCE primary metric. The fundamental premise of this clause is that what is tested is priced and what is priced is tested.

9.2 Priced Components

The components to be priced include:

- the hardware and software components present in the TESTED STORAGE CONFIGURATION (TSC).~~5~~
- ~~A~~ny additional operational components required by the TSC.~~5~~ ~~and~~
- ~~T~~hree-year maintenance on all of the above components.

9.3 Calculation of Total System Price

9.3.1 Calculation of the three-year pricing, known as TOTAL SYSTEM PRICE, includes:

- The cost of the PRICED STORAGE CONFIGURATION as defined in 9.4.
- The cost of additional hardware and/or software products as described in 9.5.
- Maintenance as defined in Clause 9.6
- HOST SYSTEM(s) that are considered priced TSC components (Clause 4.5.1).
- All applicable tariffs, duties, and import fees, when appropriate, if those costs are not included in the listed product prices.

9.3.2 Specifically excluded from the pricing calculation are the following:

- Components ~~that are~~ necessary for the execution of the benchmark, but do not provide any storage functionality and do not enhance the measured performance of the TESTED STORAGE CONFIGURATION.
- Software, which is not a third-party product, that meets the exclusions listed in Clause 4.5.1.
- The cost of maintenance for HBA(s) included in the PRICED STORAGE CONFIGURATION.
- Any associated shipping costs.

9.4 TSC/PSC Pricing

9.4.1 Goal

The TSC represents the equipment configuration that is physically present during the benchmark measurement, as defined in Clause 4.5. The TSC when used in pricing must represent a customer orderable configuration. To allow the use of a valid measurement

configuration that may not represent a customer orderable configuration, this clause will distinguish between the TSC and PRICED STORAGE CONFIGURATION (PSC).

9.4.2 Priced Storage Configuration

9.4.2.1 The PRICED STORAGE CONFIGURATION (PSC) represents a customer orderable configuration. If the TSC, without modification, is customer orderable, it is also the PSC.

9.4.2.2 In cases where the TSC is a valid measurement configuration but not a customer orderable configuration, the TSC and PRICED STORAGE CONFIGURATION will differ. In those cases, the PRICED STORAGE CONFIGURATION will be comprised of the TSC with the appropriate components added or deleted to create a customer orderable configuration.

For example, consider a configuration in which a portion of the PHYSICAL STORAGE CAPACITY (Clause 2.2) is not physically connected to the TSC, and the TSC can be ordered without that unused storage. In this case, the PRICED STORAGE CONFIGURATION would not include the unused storage.

A second example would be a configuration in which all of the PHYSICAL STORAGE CAPACITY is used in the benchmark, but that specific storage capacity is not orderable. The amount of storage included in the pricing would be adjusted to create an orderable configuration, again resulting in a PRICED STORAGE CONFIGURATION that differs from the TSC.

9.4.2.3 In those cases where there is deletion or addition of components to create a customer orderable configuration, the PRICED STORAGE CONFIGURATION must be capable of providing at least the same level of reported performance as the TSC. The intent of this requirement is to ensure that any component change to the TSC be performance-neutral.

9.5 Additional Operational Components

9.5.1 Additional products explicitly required for the operation, administration, or maintenance of the PRICED STORAGE CONFIGURATION must be included. This includes all required third-party software and hardware products.

9.5.2 Copies of the software used by the PRICED STORAGE CONFIGURATION, on appropriate media, and a software load device, if required for initial load or maintenance updates, must be included.

9.5.3 The price of all cables used to connect components of the PRICED STORAGE CONFIGURATION must be included.

9.5.4 If the PRICED STORAGE CONFIGURATION is greater than 20U, the configuration must include the appropriate racking/cabinetry and power distribution.

9.6 Maintenance

9.6.1 Hardware maintenance and software support, no matter what it is called by the vendor, provides the following:

- Acknowledgement of new and existing problems within four (4) hours.
- On-site presence of a qualified maintenance engineer or provision of a customer replaceable part within four (4) hours of the above acknowledgement for any hardware

failure that results in an inoperative PRICED STORAGE CONFIGURATION that can be remedied by the repair or replacement of a PRICED STORAGE CONFIGURATION component. In either case, the remedy will result in resumption of operation.

- Resumption of operation means the PRICED STORAGE CONFIGURATION must be returned to the same state/configuration that was present before the failure.
- Commitment to fix software defects within a reasonable time.

9.6.2 The maintenance pricing must be independent of actual failure rates over the three-year period, no matter how many failures occur during that period. The use of Mean Time Between Failure (MTBF) data to directly compute the maintenance cost for this benchmark is precluded. The hardware maintenance pricing requirements cannot be met by pricing based on the cost to fix specific failures, even if the failure rate is calculated from MTBF data.

9.6.3 Hardware maintenance and software support must be configured using standard pricing which covers 7 days per week, 24 hours per day coverage, either on-site, or if available as standard offering, via a central support facility for a duration of at least three years (36 months).

9.7 Pricing Methodology

9.7.1 Overview

The pricing methodology must reflect the cost of operation of the BENCHMARK CONFIGURATION using packages and discounts commonly practiced and generally available products. This cost must be disclosed in a line item fashion using local pricing.

9.7.2 Packages and Discounts

9.7.2.1 Packaging and pricing that are generally available to customers are acceptable. Promotional and/or limited availability offerings are explicitly excluded. Revenue discounts based on total price are permissible. Any discount must be only for the configuration being priced and cannot be based on past or future purchases. Individually negotiated discounts are not permitted. Special customer discounts (e.g., GSA schedule, educational schedule) are not permitted. The reported pricing represents a one time, stand-alone purchase.

9.7.2.2 Generally available discounts for the priced configuration are allowed.

9.7.2.3 Generally available packaged pricing is allowed.

9.7.2.4 Assumptions of other purchases, other sites with similar systems, or any other assumption that relies on the principle that the customer has made any other purchase from the TEST SPONSOR are specifically prohibited.

9.7.2.5 For all hardware components used in the priced system, the cost must be the price of a new component (i.e., not reconditioned or previously owned).

9.7.2.6 For a TEST SPONSORS who only has indirect sales channels, pricing must be actual generally available pricing from indirect channels that meet all other requirements of Clause 9.

9.7.2.7 Maintenance may be bundled as a component of package pricing. In that case, the maintenance component of the package must be clearly identified in the description of the bundle/package. A TEST SPONSORS may also include a standard multi-year maintenance option as a separately priced component. In cases where there is not such a ‘bundling’ of maintenance or a standard multi-year maintenance options is not available, the three-year maintenance cost shall be computed as three times the one-year maintenance cost. If maintenance is priced in that manner, a discount based on pre-payment in excess of 12 months is prohibited.

9.7.3 **Product Availability**

9.7.3.1 The PRICED STORAGE CONFIGURATION is the actual configuration the customer would purchase. However, vendors may announce new products and disclose benchmark results before new products have actually shipped. This is allowed, but any use of benchmark-special implementations is specifically disallowed (Clause 0.2).

9.7.3.2 Clause 0.2 requirements must be fulfilled with respect to the set of possible customers in the specified TARGET COUNTRY (Clause 9.7.4).

9.7.3.3 All hardware and software used in the calculations must be announced and generally orderable by customers.

9.7.3.4 Each product or collection of products that comprise the PRICED STORAGE CONFIGURATION must have an AVAILABILITY DATE, which is a date such that it is committed that by that date all requirements of Clause 0.2 will be fulfilled for that product or collection, including delivery for general availability. When the PRICED STORAGE CONFIGURATION includes products or components with different AVAILABILITY DATES, the PRICED STORAGE CONFIGURATION AVAILABILITY DATE is the date at which all components are committed to be available

9.7.3.5 The PRICED STORAGE CONFIGURATION AVAILABILITY DATE (Clause 9.7.3.4) must not exceed three months beyond the SPC-1 FULL DISCLOSURE REPORT submittal date.

The essence of the PRICED STORAGE CONFIGURATION AVAILABILITY DATE is the ability to take physical delivery of an integrated configuration that is identical the PRICED STORAGE CONFIGURATION, achieves the reported SPC-1 performance, and demonstrates fulfillment of all the requirements of Clause 0.2.

9.7.3.6 The TEST SPONSOR must disclose all effective dates of the reported prices.

9.7.4 **“Target Country” Requirements**

9.7.4.1 The TARGET COUNTRY is the country in which the PRICED STORAGE CONFIGURATION is available for sale no later than the AVAILABILITY DATE (Clause 9.7.3.4) and in which the required hardware maintenance and software support (Clause 9.6) is provided either directly from the TEST SPONSOR or indirectly via a third-party supplier.

9.7.4.2 PRICED STORAGE CONFIGURATION pricing, as well as any included discounts, must be available to all customers in the TARGET COUNTRY.

9.7.5 Pricing Currency

9.7.5.1 Local Currency

SPC-1 pricing may be in the currency of the TARGET COUNTRY where the SPC-1 PRICED STORAGE CONFIGURATION product availability, sales and support requirements would be met (*Clause 9.7.4*).

9.7.5.2 Non-Local Currency

SPC-1 pricing may be in a currency other than the currency of the TARGET COUNTRY if all of the following requirements are met.

9.7.5.2.1 The TARGET COUNTRY requirements (*Clause 9.7.4*) must be met.

9.7.5.2.2 The TEST SPONSOR must disclose the country that is the source of the non-local currency used in the SPC-1 pricing.

9.7.5.2.3 Constraints on public statements that include SPC-1 PRICE-PERFORMANCE and/or SPC-1 TOTAL SYSTEM PRICE are listed in *Clause 8.5.1*.

9.7.6 Third-Party Pricing

9.7.6.1 In the event that any hardware, software, or maintenance is provided by a third party not involved as a TEST SPONSOR of the benchmark, the pricing must satisfy all requirements for general availability, standard volume discounts, and full disclosure.

9.7.6.2 The TEST SPONSOR is required to clearly identify all the items, components and services that are not acquired from the TEST SPONSOR. Any third-party supplier's items and prices, including discounts, are subject to the same disclosure requirements as those components supplied by the TEST SPONSOR. Discounts shall not be dependent on purchases from any other suppliers.

9.7.6.3 Any pricing that is not directly offered by the TEST SPONSOR, and not derived from the third-party supplier's generally available pricing and discounts must be guaranteed by the third party in a written price quotation. The quotation must be valid for a period not less than 60 days from the date the results are submitted.

9.7.6.4 Third-party's written quotations must be included in the FULL DISCLOSURE REPORT and must state:

- That the quoted prices are generally available;
- The time period for which the prices are valid;
- The basis of all discounts;
- Any terms and conditions that apply to the quoted prices.

9.8 Required Reporting

9.8.1 Pricing Spreadsheet

- 9.8.1.1 The PRICING SPREADSHEET details how the three-year cost of ownership is computed. It contains the prices, discounts, warranty information, and maintenance cost for all the hardware and software components in the PRICED STORAGE CONFIGURATION. Price disclosure shall be presented in a structured fashion to enhance clarity and comparability between test results.
- 9.8.1.2 The REFERENCE PRICE of a component or subsystem is defined as the price at which it could be ordered individually from the vendor or designated third-party supplier.
- 9.8.1.3 The PRICING SPREADSHEET must be included in the FULL DISCLOSURE REPORT and must include the following items for each component in the PSC:
- Part name or brief description
 - Part number
 - Source of the component, whether from a TEST SPONSOR or a third party (note: this can be an index into a list of component sources provided that list is included in the PRICING SPREADSHEET)
 - REFERENCE PRICE of the component (see Clause 9.8.1.2)
 - Quantity of the component used in the priced configuration
 - The extended price of the component, based on the REFERENCE PRICE of the component, the quantity included in the priced configuration and any component-level discounting
 - Three-year maintenance cost (including any discount for pre-payment, see Clause 9.7.2.7), or a notation that maintenance for the part is included in another maintenance charge.
 - If the component is a bundle/package of parts, as allowed by Clause 9.7.2, the above items apply to the bundle but each item in the bundle/package must be clearly identified in the description of bundle/package.
 - Components required to configure the PRICED STORAGE CONFIGURATION that have an aggregate price less than 0.1% of the PRICED STORAGE CONFIGURATION may be listed as a single line item with a description of the collection of components, e.g., "Miscellaneous Cables."
- 9.8.1.4 The TOTAL SYSTEM PRICE of the PRICED STORAGE CONFIGURATION and its associated three-year maintenance cost must be included in the PRICING SPREADSHEET. The TOTAL SYSTEM PRICE must be stated in the minimum level of negotiable detail for the pricing currency, e.g. U.S. dollars and cents.
- 9.8.1.5 The percentage, amount, and basis (including type and justification) of all discounts listed must be disclosed. A tabular summary may be employed to simplify the presentation.

- 9.8.1.6 Thresholds for such discounts need not be disclosed.
- 9.8.1.7 While package pricing is allowed, the level of discount obtained through such packages shall be disclosed by reporting the individual REFERENCE PRICE for each component in the PRICING SPREADSHEET (see Clause 9.8.1.2).

Comment: *This requirement does not apply to components that are not sold separately, other than as repair parts.*

- 9.8.1.8 The PRICING SPREADSHEET shall contain the following text:

Prices used in SPC benchmarks reflect the actual prices a customer would pay for a one-time purchase of the stated components. Individually negotiated discounts are not permitted. Special prices based on assumptions about past or future purchases are not permitted. All discounts reflect standard pricing policies for the listed components. For complete details, see the pricing sections of the SPC benchmark specifications. If you find that the stated prices or maintenance levels are not available according to these terms, please inform the SPC at spcadmin@storageperformance.org.

Comment: *This wording is intended to assure that SPC pricing is viewed in an appropriate context, and to encourage the participation of consumers of SPC data is ensuring that the pricing methodologies are properly adhered to.*

Clause 10 Full Disclosure Report

10.1 Overview

The FULL DISCLOSURE REPORT (FDR) is a report detailing an SPC-1 benchmark RESULT, along with the procedures, configuration, and equipment used to produce the RESULT.

The FDR includes the following components:

- The FDR DOCUMENT (10.3.1)
- The ES DOCUMENT (10.3.2)
- The SUPPORTING FILES

Additional items or modifications to the items listed above may be included and/or required at the discretion of the auditor.

All components of the FDR must be electronically submitted by a TEST SPONSOR to the SPC Administrator after a successful completion of the required SPC-1 AUDIT and prior to any public use of the benchmark RESULT.

An FDR is required for each SPC-1 RESULT and is intended to allow the replication of the RESULT given access to appropriate documentation and products.

10.2 Full Disclosure Report Requirements

10.2.1 Document Language

The FDR document and the ES DOCUMENT must be written in the English language.

10.2.2 Document Format

The FDR DOCUMENT must be formatted as an Adobe PDF document.

The ES DOCUMENT must be formatted as a stand-alone Adobe PDF document.

10.2.3 Full Disclosure Report Availability

The FDR DOCUMENT must be readily available to the public at a reasonable charge, similar to charges for similar documents by that TEST SPONSOR.

10.3 Document Contents

10.3.1 Full Disclosure Report Document

The FDR DOCUMENT must contain, in sequence:

- Front Matter, including in sequence:

- The Front Matter
- ~~Title Page~~Front Matter
- ~~Title Page~~ (10.4.1)
- The Release and Trademarks Page (10.4.2)
- The Table of Contents (10.4.3)
- The Audit Certification (10.4.4)
- The Letter of Good Faith (10.4.5)
- The Executive Summary (10.5)
- Configuration Information, including in sequence:
 - The Benchmark Configuration and Tested Storage Configuration (10.6.1)
 - Component Changes in Revised Full Disclosure Report~~Component Changes in Revised Full Disclosure Report~~ (10.6.1.5)
 - The Benchmark Configuration Creation Process (10.6.2)
- Benchmark Execution Results~~Benchmark Execution Results~~, including in sequence:
 - The SUSTAIN Test Phase (10.7.3)
 - The RAMPD_100 Test Phase (10.7.4)
 - The Response Time Ramp Test (10.7.5)
 - The Repeatability Test Phase Group (10.7.6)
 - The Data Persistence Test~~Data Persistence Test~~ (10.7.9)
- Appendices
 - The list of SUPPORTING FILES
 - The third-party quotations, if any.

10.3.2 **Executive Summary Document**

The ES DOCUMENT must contain and be limited to the EXECUTIVE SUMMARY (ES) (10.5)

10.4 **Front Matter**

10.4.1 **Title Page**

The Title Page of the FDR DOCUMENT must contain the following information:

- Title: “SPC-1 Benchmark Full Disclosure Report”
- The applicable SPC-1 Benchmark Specification version
- The TEST SPONSOR’s name and, optionally, a company logo
- The formal TESTED STORAGE PRODUCT name.
- The SPC-1 SUBMISSION IDENTIFIER assigned to the SPC-1 RESULT disclosed in the FDR.
- The “Submitted for Review” notation and date, which designates the submission as a new SPC-1 RESULT and indicates the start of the 60-day Peer Review.

10.4.2 **Release and Trademarks Page**

This page of the FDR DOCUMENT must contain:

- A release from the TEST SPONSOR allowing conditional public disclosure and reproduction of the FDR.
- A list of the trademarks claimed by the SPC and by the TEST SPONSOR.
- A reference to this Benchmark Specification document and to the glossary of terms used in the FDR.

10.4.3 **Table of Contents**

The Table of Contents must identify the location of each 1st and 2nd level heading in the FDR DOCUMENT.

10.4.4 **Audit Certification**

This section of the FDR DOCUMENT must contain a copy of the certification letter issued by the AUDITOR to the TEST SPONSOR for this execution of the SPC-1 BENCHMARK.

If the FDR DOCUMENT is a revision to an existing FDR and contains changes to the original PRICED STORAGE CONFIGURATION, the revised FDR DOCUMENT must contain an amended certification letter that includes the AUDITOR’s review and approval of those changes.

10.4.5 **Letter of Good Faith**

This section of the FDR DOCUMENT must contain a copy of the Letter of Good Faith issued by the TEST SPONSOR to the AUDITOR for this execution of the SPC-1 BENCHMARK. The Letter of Good Faith is required to be identical in format and content to the template in Appendix A with the appropriate changes specific to the benchmark submission (TEST SPONSOR name, TSC name, date, etc.). Any other changes in content and format must be approved by the AUDITOR.

10.5 **Executive Summary**

10.5.1 **Overview**

The EXECUTIVE SUMMARY (ES) must contain, in sequence:

- The Title Page with SPC-1 Reported Data (Clause 10.5.2)
- The Benchmark Configuration Diagram (Clause 10.5.3)
- The ~~Tested Storage Product Description~~ ~~Tested Storage Product Description~~ (Clause 10.5.4)
- The Priced Storage Configuration Components (Clause 10.5.5)
- The Pricing Spreadsheet (Clause 10.5.6)
- The ~~Response Time and Throughput Graph~~ ~~Response Time and Throughput Graph~~ (Clause 10.5.7)
- The ~~Test Sponsor and Contact Information~~ ~~Test Sponsor and Contact Information~~ (Clause 10.5.8)
- The ~~Revision Information and Key Dates~~ ~~Revision Information and Key Dates~~ (Clause 10.5.9)

10.5.2 Title Page with SPC-1 Reported Data

The Title Page of the EXECUTIVE SUMMARY must contain the following information:

- Title: “SPC Benchmark 1™ Executive Summary”
- The TEST SPONSOR’s name
- The formal TESTED STORAGE PRODUCT name
- A table containing all the SPC-1 REPORTED DATA, except for the SPC-1 SUBMISSION IDENTIFIER,
- The currency used in the pricing and the TARGET COUNTRY.
- The applicable SPC-1 Benchmark Specification version
- The SPC-1 SUBMISSION IDENTIFIER assigned to the RESULT.
- The “Submitted for Review” date.

All SPC-1 REPORTED DATA must be computed and expressed as defined in Clause 8.2. The appearance and format of the table containing the SPC-1 REPORTED DATA, the pricing currency and the TARGET COUNTRY are illustrated by example in Table 10-1.

Table 10-1 Summary of Results

SPC-1 IOPS™	xxxxxx
SPC-1 Price-Performance™	\$x.xx/SPC-1 IOPS™
SPC-1 IOPS™ Response Time	x.xxx ms

SPC-1 Average Response Time	x.xxx ms
SPC-1 ASU Capacity	x,xxx GB
SPC-1 Space Effectiveness Ratio	n.nn
SPC-1 ASU Price	\$xx.xx/GB
SPC-1 Total System Price	\$xx,xxx.xx
Data Protection Level	Protected 1/Protected 2
Physical Storage Capacity	xx,xxx GB
Currency Used / Target Country	Currency / Country

If space optimization techniques are not in use (see 2.7), the SPACE EFFECTIVENESS RATIO shall be reported as “NA”.

10.5.3 Benchmark Configuration Diagram

The EXECUTIVE SUMMARY must contain a high-level diagram of the BENCHMARK CONFIGURATION illustrating the major hardware components used in the execution of the benchmark.

10.5.4 Tested Storage Product Description

10.5.4.1 The EXECUTIVE SUMMARY must contain a brief description of the TESTED STORAGE PRODUCT (TSP). The description should include information that is consistent with the TSP categorization defined in Clause 4.6.

10.5.4.2 Features used in the benchmark by the TSP may be included in the description. For example, if the TSP is a software product that provides virtualization functionality used in the benchmark but does not include STORAGE DEVICES, the description should contain that information.

10.5.4.3 Features available in the TSP, but not used in the benchmark cannot be included in the description.

10.5.4.4 The description may include a website link to official product information available from the TEST SPONSOR.

10.5.4.5 Features of the TSC and the TSC architecture that ensure the TSC can survive the instantaneous loss of power to the entire TSC at any time without the loss of any committed data must be described (see 7.2).

10.5.5 Priced Storage Configuration Components

The EXECUTIVE SUMMARY must contain a table that lists the major components of the PRICED STORAGE CONFIGURATION (Clause 9.4.2). The appearance, content and format of the table containing this information are illustrated by example in Table 10-2.

Table 10-2 Priced Storage Configuration Components

x MyHostBusAdapter (1)
x MyStorageProduct (2)
x MyStorageController (3) XXX GB Cache # x XX Gb FrontEndPort # x XXX GB BackEndConnection
x MyStorageDevice (4)
x MyHighSpeedSwitch (5)

Footnotes to Table 10-2:

1. *The number, product/model name and description of all Host Bus Adapters installed on each host system*
2. *The number, formal product name and model of the TESTED STORAGE PRODUCT (Clause 4.6).*
3. *The number, model/name and description of each storage/domain controller in the PRICED STORAGE CONFIGURATION. The description will include:*
 - o *The amount of memory and cache.*
 - o *The type and total number of front-end physical connections.*
 - o *The type and total number of back-end physical connections.*
4. *The number of STORAGE DEVICES in each component of the PRICED STORAGE CONFIGURATION and a description of each type of STORAGE DEVICE. The description will include:*
 - o *The type of device (disk drive, solid state device, etc.).*
 - o *The formatted capacity of each STORAGE DEVICE type.*
 - o *The rotation speed, if appropriate, of each STORAGE DEVICE type.*
5. *All other major PRICED STORAGE CONFIGURATION components such as switches, enclosures, etc.*

10.5.6 **Pricing Spreadsheet**

The EXECUTIVE SUMMARY must contain a PRICING SPREADSHEET as documented in Clause 9.8.1 and a description of the basis, including type and justification, of any discounts (Clause 9.8.1.5) included in the PRICING SPREADSHEET.

The EXECUTIVE SUMMARY must contain the PRICED STORAGE CONFIGURATION AVAILABILITY DATE as either a date with the precision of a day or as the mention “Currently Available” in the case where all components that comprise the PSC are available for customer order and shipment on the day of the RESULT submission.

10.5.7 **Response Time and Throughput Graph**

The EXECUTIVE SUMMARY must contain a response time and throughput graph, as produced by the data reduction tool.

The graph must a plot of the IOPS and the AVERAGE RESPONSE TIME for the following TEST PHASEs: RAMPD_100, RAMPD_95, RAMPD_90 DOWN, RAMPD_80, RAMPD_50 and RAMPD_10. This plot must be labeled “Ramp Down Response Time”.

The graph must also show a line representing the SPC-1 Average Response Time.

10.5.8 **Test Sponsor and Contact Information**

The EXECUTIVE SUMMARY must contain a table of contact information for the TEST SPONSOR and the AUDITOR. The appearance, content and format of the table containing this information are illustrated by example in Table 10-3.

Table 10-3 Contact Information

Contact Information	
Test Sponsor Primary Contact (1)	Company, Company Web Address, Individual Name, Email Address.
Auditor (2)	Company, Company Web Address, Individual Name, Email Address.

Footnotes to Table 10-3:

1. *The primary entity and first contact responsible for the submitted FDR. Entity will be the first point of contact in administrating results through the SPC Review Process.*
2. *Contact information for the AUDITOR who certified the new SPC-1 RESULT.*

10.5.9 **Revision Information and Key Dates**

The EXECUTIVE SUMMARY must contain a table of key dates and revision numbers associated with the published result. The content, appearance, and format of this table are illustrated by example in Table 10-4.

Table 10-4 Revision Information and Key Dates

Revision Information and Key Dates	
SPC-1 Specification revision number (1)	NN.NN.NN
SPC-1 Workload Generator revision number (2)	MM.MM.MM
Publication Revision History: (3) dd/mm/yyyy – revision text dd/mm/yyyy – revision text	Initial Publication or Revise Publication
Priced Storage Configuration Availability Date (4)	DD/MM/YYYY or Currently Available

Footnotes to Table 10-4:

1. *The revision number of the SPC-1 specification used to produce the results reported in this FDR.*
2. *The revision number of the SPC-1 WORKLOAD GENERATOR used to produce the results reported in this FDR.*
3. *The calendar date that each revised FDR was submitted to the SPC and a brief description of each revision.*
4. *The calendar date that the PRICED STORAGE CONFIGURATION reported in this FDR is/was first available to be shipped to a customer or the mention “Currently Available”.*

10.6 Configuration Information

10.6.1 Benchmark Configuration and Tested Storage Configuration

10.6.1.1 Configuration Diagram

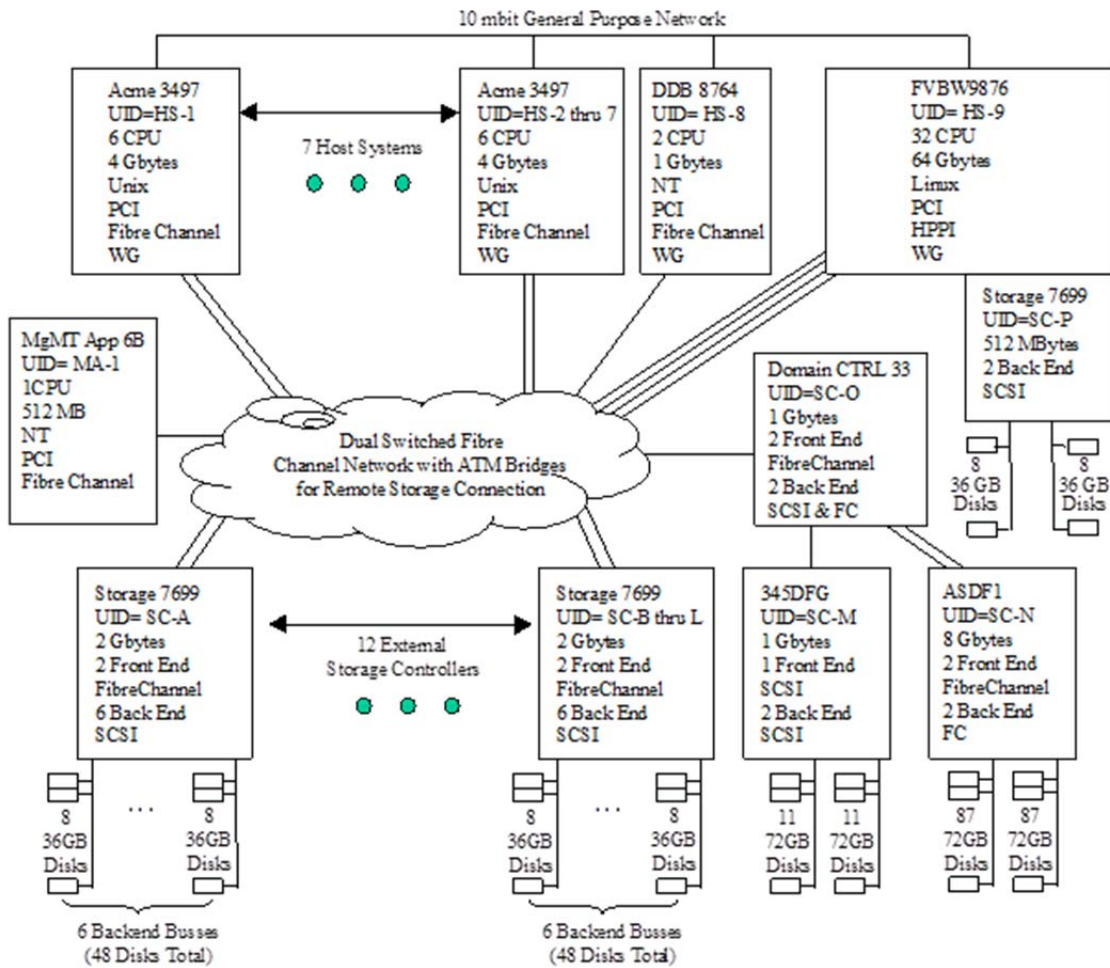
The FDR DOCUMENT must contain a one page diagram of the BC and TSC illustrating the following information:

- All HOST SYSTEMS and Management Appliances in the BC. Each HOST SYSTEM shall designate (in sequence):
 - The model or name of the product.
 - The number of CPUs or processors.
 - The amount of main memory in the system.
 - The name and revision(s) of the operating system.
 - The type of System I/O Interconnect.
 - The type of physical connections between Adapters (connected to the System I/O Interconnect) and any Storage Controllers or STORAGE DEVICES.
- All Storage Controllers or Domain Controllers in the TSC. Each Controller shall designate (in sequence):
 - The model or name.
 - The amount of memory and cache.
 - The number of Front-end physical interconnects (unless there are none).
 - The type of Front-end interconnects (unless there are none).
 - The number of Back-end physical interconnects.
 - The type of Back-end physical interconnects.
 - The type of physical connections between Adapters (connected to the System I/O Interconnect) and any Storage Controllers or STORAGE DEVICES.

- The number of STORAGE DEVICE as well as their capacities.
- An illustration and description of the networks used to implement the BC. If a single diagram is not sufficient to illustrate both the BENCHMARK CONFIGURATION and network configuration in sufficient detail, the BENCHMARK CONFIGURATION diagram will include a high-level network illustration as shown in [Figure 10-1](#).

The content, appearance, and format of this diagram are illustrated by example in [Figure 10-1](#).

Figure 10-1 BC/TSC Configuration Diagram



Comment: Detailed diagrams for system configurations and architectures can widely vary, and general guidelines may not be suitable for all implementations. The intent is to describe the system components and connections in sufficient detail to allow independent reconstruction of the BC environment.

10.6.1.2 Storage Network Configuration

If a storage network was included as a part of the TESTED STORAGE CONFIGURATION and the BENCHMARK CONFIGURATION diagram described in Clause 10.6.1.1 sufficiently illustrates the network configuration, the FDR DOCUMENT must contain a brief description of the illustrated network.

If the network configuration cannot be adequately represented in the diagram described in Clause 10.6.1.1, the FDR DOCUMENT must contain a one-page topology diagram, illustrating the following information:

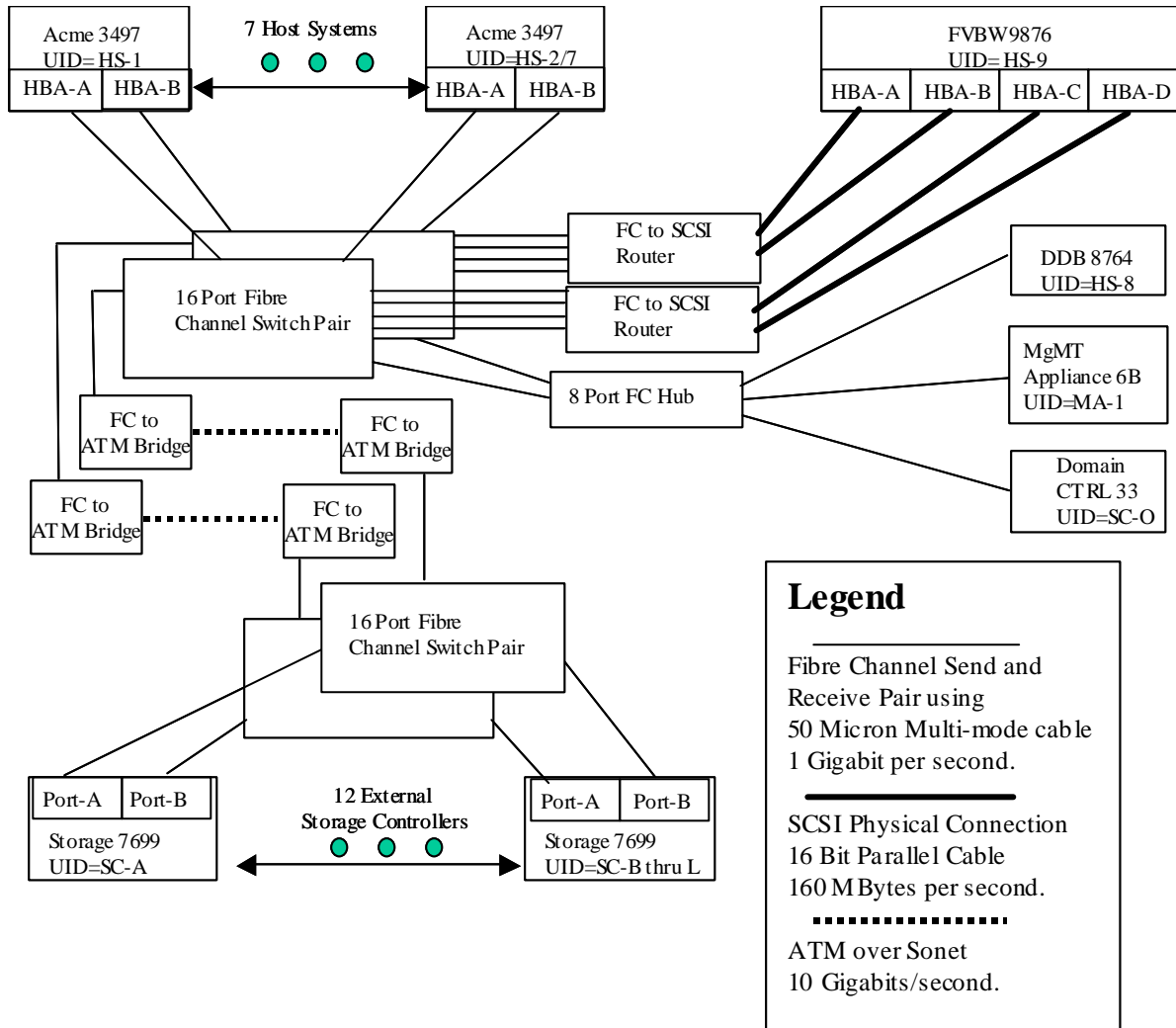
- Storage Controllers and Domain Controllers (see Clause 10.6.1.1)
- Host systems (see Clause 10.6.1.1)
- Routers and Bridges
- Hubs and Switches
- HBAs to host systems and Front End Port to Storage Controllers.

Additionally, the diagram must:

- Illustrate the physical connection between components.
- Describe the type of each physical connection.
- Describe the network protocol used over each physical connection.
- List the maximum theoretical transfer rate of each class of interconnect used in the configuration.
- Correlate with the BC Configuration Diagram in Clause 10.6.1.1.

The content, appearance, and format of this diagram are illustrated by example in Figure 10.2.

Figure 10-2 Storage Network Configuration Diagram



10.6.1.3 New SPC-1 Result based on an Existing SPC-1 Result

If the new SPC-1 RESULT is based on an existing SPC-1 RESULT (i.e., a SOURCE SPC-1 RESULT), the FDR DOCUMENT must contain a table with the following information regarding the SOURCE SPC-1 RESULT:

- The Submission Identifier
- The Submission Date
- The Test Sponsor’s primary contact information
- The Auditor’s contact information

The content and format of the table are illustrated by example in Table 10-5.

Table 10-5 Source SPC-1 Result Information

Source SPC-1 Result Information	
Source Test Sponsor Primary Contact (1)	Company, Company Web Address, Individual Name – Email Address Phone
Source SPC-1 Submission Identifier (2)	Annnnn
Submission Date Of Source SPC-1 Result (3)	mddd dd, yyyy
Status Of The Source SPC-1 Result (4)	{Submitted for Review/Accepted}
Auditor For The Source SPC-1 Result (5)	Company, Company Web Address, Individual Name – Email Address Phone

Footnotes to Table 10-5:

1. *The TEST SPONSOR contact responsible for the SOURCE SPC-1 RESULT.*
2. *The SPC-1 SUBMISSION IDENTIFIER of the SOURCE SPC-1 RESULT.*
3. *The date the SOURCE SPC-1 RESULT was submitted to the SPC.*
4. *The current Peer Review status of the SOURCE SPC-1 RESULT.*
5. *The AUDITOR for the SOURCE SPC-1 RESULT.*

The FDR DOCUMENT must contain the BC/TSC diagram (Clause 10.6.1.1), the storage network diagram (Clause 10.6.1.2), and the HOST SYSTEM/TSC component table (Clause 10.6.1.3), from the SOURCE SPC-1 RESULT. This information must appear in an Appendix.

10.6.1.4 Host System and Tested Storage Configuration Components

The FDR DOCUMENT must contain a table that lists the major components of each HOST SYSTEM and of the TESTED STORAGE CONFIGURATION. The content, appearance, and format of this table are illustrated by example in Table 10-6 and Table 10-7.

Table 10-6 Host System

Host System
Host System name/model (1)
CPU information (2)
Main Memory configuration (3)
Operating system name and version (4)
TSC Software (5)

Footnotes to Table 10-6:

1. *The product name and model of each HOST SYSTEM used in the benchmark.*
2. *The number, product/model name, and description of the CPUs in each HOST SYSTEM. The description will include clock speed.*
3. *The amount of main memory in each HOST SYSTEM.*
4. *The operating system, version, and any specific patches/updates installed on each HOST SYSTEM.*
5. *Any software, other than the operating system, installed on the HOST SYSTEM that provided TSC functionality such as a volume manager.*

Table 10-7 Tested Storage Configuration

Tested Storage Configuration
Host Bus Adapter (HBA) information (1)
TSC product name (2)
Storage/Domain Controller information (3)
Front-end interconnection information (4)
Back-end interconnection information (5)
STORAGE DEVICE information (6)
All other major TSC components (7) (e.g. switches, enclosures, etc.)

Footnotes to Table 10-7:

1. *The number, product/model name and description of all Host Bus Adapters installed on each HOST SYSTEM.*
2. *The tested storage configuration's product name and model.*
3. *The model/name and description of each storage/domain controller in the tsc. The description will include:*
 - o *The amount of memory and cache.*

- The type and total number of front-end physical connections.
 - The type and total number of back-end physical connections.
 - The type of physical connection between the host system and storage/domain controller
 - The number of STORAGE DEVICES accessible by the storage/domain controller.
4. *The number of physical front-end connections used in the benchmark.*
 5. *The number of physical back-end physical connections used in the benchmark and the number of STORAGE DEVICES accessible by each connection.*
 6. *The number of STORAGE DEVICES in the TSC and a description of each type of STORAGE DEVICE. The description will include:*
 - The type of device (disk drive, solid state device, etc.).
 - The formatted capacity of each STORAGE DEVICE type.
 - The rotation speed, if appropriate, of each STORAGE DEVICE type.
 - The amount of cache in each STORAGE DEVICE type.
 7. *All other major TSC components such as switches, enclosures, etc.*

10.6.1.5 Component Changes in Revised Full Disclosure Report

In cases where the FULL DISCLOSURE REPORT is revised to change one or more components of the PRICED STORAGE CONFIGURATION (PSD), the revised FDR DOCUMENT must contain a list of all PRICED STORAGE CONFIGURATION component changes that are included in this revision (see Clause 9.4). The list must contain the line item information of each original component, the line item information of the revised component, and a brief description of the change.

In the initial submission of the FDR the list of revised components will read “n/a” and the description will read “Initial Submission”.

10.6.2 **Benchmark Configuration Creation Process**

10.6.2.1 Overview

The FDR DOCUMENT must contain all the information necessary to recreate the complete BENCHMARK CONFIGURATION (BC) .

10.6.2.2 Customer Tuning Parameters and Options

All BENCHMARK CONFIGURATIONN (BC) components with customer tunable parameters and options that have been altered from their default values must be listed in the FDR DOCUMENT. This information must also be included in the SUPPORTING FILES. The entry for each of those components must include both the name of the component and the altered value of the parameter or option. If the parameter name is not self-explanatory

to a knowledgeable practitioner, a brief description of the parameter's use must also be included in the FDR.

Examples of customer tunable parameters and options include:

- Options for each component used in a network used to connect Storage to host systems.
- HBA Options.
- Array Controller options.
- Operating system, run time environment, and application configuration parameters.
- Compilation and linkage options and run-time optimizations used to create/install any applications or the OS used on the BC.

10.6.2.3 Tested Storage Configuration Creation

The FDR DOCUMENT must contain sufficient information to recreate the logical representation of the TSC. This information must also be included in the SUPPORTING FILES. In addition to customer tunable parameters and options (Clause 4.2.4.5.3), that information must include at a minimum, the following:

- A diagram and/or description of the following:
 - All physical components that comprise the TSC. Those components are also illustrated in the BC configuration diagram in Clause 10.6.1.1 and/or the storage network configuration diagram in Clause 10.6.1.2.
 - The logical representation of the TSC presented to the SPC-1 WORKLOAD GENERATOR.
- Listings of scripts used to create the logical representation of the TSC.
- If scripts were not used, a description of the process used with sufficient detail to recreate the logical representation of the TSC.

10.6.2.4 Workload Generator Storage Configuration

The FDR DOCUMENT must contain all SPC-1 WORKLOAD GENERATOR storage configuration commands and parameters. (See *SPC Workload Generator Users' Guide* for details). This information must also be included in the SUPPORTING FILES.

10.6.2.5 Logical Volume Addressable Capacity and ASU Mapping

The FDR DOCUMENT must contain a table illustrating the capacity of each ASU and the mapping of ASU to LOGICAL VOLUMESs, presented as follows:

- Capacities must be stated in gigabytes (GB) as a truncated integer or a truncated value with three significant digits, using the method that produces the more precise value.
- LOGICAL VOLUMES must be sequenced in the table from top to bottom per their position in the contiguous address space of each ASU.
- The addressable capacity of each LOGICAL VOLUME must be stated.
- If space optimization was employed within an ASU (see 2.7), it shall be disclosed, and the test sponsor shall include a description of the techniques employed.

Comment: *The description of the space optimization techniques present is intended to provide a knowledgeable reader with a general understanding the precise techniques used (e.g., compression, deduplication)*

The content, appearance, and format of this table are illustrated by example in Table 10-8.

Table 10-8 Logical Volume Addressable Capacity and ASU Mapping

	LV per ASU	LV Capacity	Used per LV	Total per ASU	% ASU Capacity	Optimized
ASU-1	N	N,NNN.N	N,NNN.N	N,NNN.N	NN.N%	Y/N
ASU-2	N	N,NNN.N	N,NNN.N	N,NNN.N	NN.N%	Y/N
ASU-3	N	N,NNN.N	N,NNN.N	N,NNN.N	NN.N%	Y/N
SPC-1 ASU Capacity				NN.NNN.N		

10.6.2.6 Physical Storage Capacity and Utilization

The FDR DOCUMENT must contain a table providing a list of the STORAGE DEVICES and their physical capacity, the PHYSICAL STORAGE CAPACITY of the TESTED STORAGE CONFIGURATION and the PHYSICAL CAPACITY UTILIZATION.

The content, appearance, and format of this table are illustrated by example in Table 10-9.

Table 10-9 Physical Capacity and Storage Device Summary

Devices	Count	Physical Capacity	Total Capacity
Storage device description	NN	NNN.N	NN.NNN.N
Storage device description	NN	NNN.N	NN.NNN.N
Storage device description	NN	NNN.N	NN.NNN.N
Total Physical Capacity			NNN.NNN.N
Physical Capacity Utilization			NN.NN%

10.6.2.7 Data Protection

The FDR DOCUMENT must contain a description of the type of data protection (see Clause [2.82-6](#)) used on each LOGICAL VOLUME.

10.7 Benchmark Execution Results

10.7.1 ASU Pre-Fill

For the ASU pre-fill (see 5.3.3) the FDR DOCUMENT must contain:

- The name of the file included in the SUPPORTING FILES and that contains the data resulting from the execution of the ASU pre-fill as produced by a supported version of the SPC-1 data reduction tool.
- The timing of the execution of the ASU pre-fill, including the start time, the end time, and the duration.
- The requested IOP level.
- The observed IOP level, calculated as the total ASU capacity populated during the ASU pre-fill divided by the duration of the ASU pre-fill, and reported as MB/second.

10.7.2 Benchmark Execution Overview

The FDR DOCUMENT must contain the following general information about the execution of the benchmark:

- The name of the file included in the SUPPORTING FILES and that contains the SPC-1 Workload Generator input parameters for the PRIMARY METRICS Test Phases, as produced by a supported version of the SPC-1 data reduction tool.
- The Measurement Intervals by Test Phase Graph of the average IOPS and the average Response Times measured over the MEASUREMENT INTERVALS of each Test Phase

10.7.3 SUSTAIN Test Phase

For the SUSTAIN TEST PHASE the FDR DOCUMENT must contain:

- The name of the file included in the SUPPORTING FILES and that contains the data resulting from the execution of the SUSTAIN TEST PHASE, as produced by a supported version of the SPC-1 data reduction tool.
- The timing of the execution of the TEST PHASE, including the TRANSITION period and the MEASUREMENT INTERVAL.
- The Throughput Graph, as produced by a supported version of the SPC-1 data reduction tool.
- The Response Time Graph, as produced by a supported version of the SPC-1 data reduction tool.

- The Data Rate Graph, as produced by a supported version of the SPC-1 data reduction tool.
- The Response Time Frequency Graph, as produced by a supported version of the SPC-1 data reduction tool.
- The measured intensity multiplier for each I/O STREAM, its coefficient of variation and the percentage of difference from the intensity multiplier defined for that I/O STREAM .

10.7.4 **RAMPD_100 Test Phase**

For the RAMPD_100 Test Phase the FDR DOCUMENT must contain:

- The name of the file included in the SUPPORTING FILES and that contains the data resulting from the execution of the RAMPD_100 TEST PHASE, as produced by a supported version of the SPC-1 data reduction tool.
- The timing of the execution of the TEST PHASE, including the TRANSITION period and the MEASUREMENT INTERVAL.
- The Throughput Graph, as produced by a supported version of the SPC-1 data reduction tool.
- The Response Time Graph, as produced by a supported version of the SPC-1 data reduction tool
- The Data Rate Graph, as produced by a supported version of the SPC-1 data reduction tool.
- The Response Time Frequency Graph, as produced by a supported version of the SPC-1 data reduction tool
- The measured intensity multiplier for each I/O STREAM, its coefficient of variation and the percentage of difference from the intensity multiplier defined for that I/O STREAM .
- A summary of the I/O requests during the MEASUREMENT INTERVAL, including the total number of completed I/O REQUESTS, the number of I/O REQUESTS with a RESPONSE TIME less than or equal to 30.00 milliseconds and the number of I/O REQUESTS with a RESPONSE TIME greater than 30.00 milliseconds.

10.7.5 **Response Time Ramp Test**

For each TEST PHASE in the RESPONSE TIME RAMP Test, the FDR DOCUMENT must contain:

- The name of the file included in the SUPPORTING FILES and that contains the data resulting from the execution of the TEST PHASES from the Response Time Ramp Test, as produced by a supported version of the SPC-1 data reduction tool.
- The Average Throughput Graph from the TEST PHASES of the Response Time Ramp Test, as produced by a supported version of the SPC-1 data reduction tool.
- The Average Response Time Graph from the TEST PHASES of the Response Time Ramp Test, as produced by a supported version of the SPC-1 data reduction tool.

- The Response Time Graph for the RAMPD_10 TEST PHASE, , as produced by a supported version of the SPC-1 data reduction tool.

10.7.6 **Repeatability Test Phase Group**

For each TEST PHASE in the Repeatability Test Phase Group the FDR DOCUMENT must contain:

- The name of the file included in the SUPPORTING FILES and that contains the data resulting from the execution of the Repeatability TEST PHASES, as produced by a supported version of the SPC-1 data reduction tool.
- A table comparing the results of the RAMPD_100 and RAMPD_10 with the Repeatability Test results. The content, appearance, and format of the table are illustrated by example in Table 10-10.
- A Throughput Graph and a Response Time Graph for the REPEAT_1_100 TEST PHASE, as produced by a supported version of the SPC-1 data reduction tool.
- A Throughput Graph and a Response Time Graph for the REPEAT_2_100 TEST PHASE, as produced by a supported version of the SPC-1 data reduction tool.
- The measured intensity multiplier for each I/O STREAM, its coefficient of variation and the percentage of difference from the intensity multiplier defined for that I/O STREAM, reported for both Repeatability TEST PHASES.

Table 10-10 Repeatability Test Results

Test Phase	100% IOPS	10% IOPS
RAMPD	n,nnn.nn	n.nn
REPEAT_1	n,nnn.nn	n.nn
REPEAT_2	n,nnn.nn	n.nn

Table 10-11 Space Utilization Results

Physical Free Space Measurement	Free Space
After Logical Volume Creation	xxx,xxx.xx GiB
After ASU Pre-Fill	xxx,xxx.xx GiB
After Repeatability Test Phase	xxx,xxx.xx GiB

10.7.7 Physical Space Utilization

If any of the LOGICAL VOLUMES reported in Table 10-8 of clause 10.6.2.5 are space-optimized, then the PHYSICAL FREE SPACE available in the TSC shall be disclosed, as required by 5.3.3.2 and 6.3.8.4 . All three space utilization measurements should be reported in a single table, as illustrated in Table 10-11.

10.7.8 Space Optimization Reporting

~~If any of the LOGICAL VOLUMES reported in Table 10-8 of clause 10.6.2.5 are space-optimized, then the SPACE OPTIMIZATION RATIO and the SPACE EFFECTIVENESS RATIO, as defined in clause 2.7.4, must reported in a table such as Table 10-12. The actual values of these ratios shall be truncated (rounded toward zero) to two decimal places for reporting purposes.~~

~~If any of the LOGICAL VOLUMES reported in Table 10-8 of clause 10.6.2.5 are space-optimized, then the following two metrics must be calculated and reported:~~

- ~~• The SPACE OPTIMIZATION RATIO is the ratio of the size of the SPC-1 data set as generated by the SPC-1 workload generator divided by the amount of incremental space consumed by that data set. This ratio is calculated as:~~

$$SOR = \frac{T}{P1 - P2}$$

~~Where:~~

- ~~SOR is SPACE OPTIMIZATION RATIO~~
- ~~T is total ASU CAPACITY~~
- ~~P1 is PHYSICAL FREE SPACE after Logical Volume creation~~
- ~~P2 is PHYSICAL FREE SPACE after Repeatability Test Phase~~

- ~~• The SPACE EFFECTIVENESS RATIO measures the ratio of the total amount SPC-1 data that the TSC can hold to the total physical capacity of the TSC. This ratio is calculated as:~~

$$SER = P1 + \frac{SOR}{T}$$

Where:

~~SER is SPACE EFFECTIVENESS RATIO~~

~~P1 is PHYSICAL FREE SPACE after Logical Volume creation~~

~~SOR is SPACE OPTIMIZATION RATIO~~

~~T is total ASU CAPACITY These ratios shall be reported to two decimal places in a table such as Table 10-12.~~

Table 10-12 Space Optimization Ratios

Space Optimization Ratio	
SPC-1 Space Optimization Ratio	n.nn
SPC-1 Space Effectiveness Ratio	n.nn

10.7.9 **Data Persistence Test**

For the PERSITENCE TEST the FDR DOCUMENT must contain:

- The name of the file included in the SUPPORTING FILES and that contains the data resulting from the execution of the PERSITENCE TEST, as produced by a supported version of the SPC-1 data reduction tool.

A table presenting key results from the PERSITENCE TEST. The content, appearance, and format of this table are illustrated by example in

~~Table 10-13~~

~~Table 10-13~~.

Table 10-13 Data Persistence Test Results

Data Persistence Test Phase: PersistN (1)	
Total Number of Logical Blocks Written (2)	XXX,XXX
Total Number of Logical Blocks Verified (3)	YYY,YYY
Total Number of Logical Blocks that Failed Verification (4)	ZZ
Time Duration for Writing Test Logical Blocks (sec.) (5)	SSS

Size in Bytes of each Logical Block (6)	ZZ,ZZZ,ZZZ
Number of Failed I/O Requests in the process of the Test (7)	R
Shutdown and power cycled Host System(s)? (8)	Yes/No

Footnotes to

Table 10-13

~~Table 10-13~~:

1. *The Test Number within the set of PERSISTENCE TESTs executed to validate the Data Persistence Requirement. The Test Number shall be an integer value representing the position in a sequence beginning with the number one (1).*
2. *The total number of LOGICAL BLOCKs written during the Persist1 TEST PHASE.*
3. *The total number of LOGICAL BLOCKs that passed verification in during the Persist2 TEST PHASE of this Test.*
4. *The total number of LOGICAL BLOCKs that failed verification in during the Persist1 TEST PHASE of this Test.*
5. *Wall clock time in minutes and seconds required to complete the Persist1 TEST PHASE of this TEST.*
6. *The number of bytes per LOGICAL BLOCK in the TSC.*
7. *The number of FAILED I/O REQUESTS per the definition in Clause 5.1.6.*
8. *“Yes” if the HOST SYSTEM(S) were shutdown and power cycled, or “No” otherwise.*

Clause 11 Measurement, Audit, and Results Submission

11.1 Introduction

The SPC-1 Result Validation process is intended to provide consumers with SPC-1 RESULTS that are complete, accurate and reproducible. The SPC-1 Result Validation process consists of:

- SPC-1 Audit (Clause 11.3).
- Measurement Submission (Clause 11.10)
- SPC Peer Review (Clause 11.11).

While it is not possible to preclude the possibility of an erroneous SPC-1 RESULT, the SPC-1 Result Validation and SPC PEER REVIEW processes are designed to minimize the possibility that an SPC-1 RESULT could lead a consumer of that benchmark data to an erroneous or misleading conclusion about the TESTED STORAGE PRODUCT (*Clause 4.6*).

11.2 Types of new SPC-1 Results

11.2.1 New, Original SPC-1 Result

The creation of a new, original SPC-1 RESULT requires:

- Successful completion of the SPC-1 Result Validation process, and
- Submission of all required materials to the SPC (Clause 11.10),

11.2.2 New SPC-1 Result based on an existing SPC-1 Result

An existing SPC-1 RESULT may be the basis of a new SPC-1 RESULT for a TESTED STORAGE PRODUCT other than the original TESTED STORAGE PRODUCT.

The creation of a new, SPC-1 RESULT of this type requires:

- Successful completion of an SPC-1 Result Validation process
- Submission of all required materials to the SPC (Clause 11.10),
- Derivative result requirements (Clause 11.12).

11.3 SPC-1 Audit

11.3.1 Overview

The purpose of the SPC-1 AUDIT is to verify a benchmark result is eligible for submission.

There are two types of SPC-1 AUDIT s, onsite (Clause 11.6.1) and remote (11.6.2). Both require:

- Execution of the SPC-1 AUDIT procedures (11.6.3).
- Submission of a complete set of SPC-1 RESULTS FILES resulting from the execution of the

complete set of SPC-1 Tests,

- Submission of an FDR, and other required audit materials.

An SPC-1 AUDIT does not provide final certification that an SPC-1 RESULT is compliant with the specification. Certification that an SPC-1 RESULT is compliant with the specification is a function of the SPC Peer Review (*Clause 11.11*).

11.4 SPC-1 Audited Measurements

The execution of the complete set of SPC-1 Tests to create a complete set of SPC-1 RESULTS FILES, which will form the basis of an SPC-1 RESULT, is performed by the TEST SPONSOR in the course of either an Onsite or Remote SPC-1 Audit.

11.5 Auditor

11.5.1 An AUDITOR is an individual who has been certified by the SPC to perform an SPC-1 AUDIT.

11.5.2 The AUDITOR will, in the course of the SPC-1 AUDIT, determine if the benchmark result is eligible for submission to the SPC.

11.5.3 The SPC will provide a list of AUDITORS to the TEST SPONSOR. The TEST SPONSOR is free to choose any AUDITOR from that list.

11.6 General Audit Procedures

11.6.1 SPC-1 On-Site Audit

11.6.1.1 To satisfy the SPC-1 audit requirements an SPC-1 BENCHMARK execution may require the on-site presence of an AUDITOR. This is referred to as a SPC-1 ON-SITE AUDIT. The AUDITOR will determine when a SPC-1 ON-SITE AUDIT is required.

11.6.1.2 During an ON-SITE AUDIT, the AUDITOR is physically present at the site where the TEST SPONSOR has assembled the BENCHMARK CONFIGURATION.

11.6.1.3 The TEST SPONSOR is responsible for the costs of an SPC-1 ON-SITE AUDIT.

11.6.2 SPC-1 Remote Audit

11.6.2.1 An SPC-1 BENCHMARK execution may satisfy SPC-1 audit requirements, without the on-site presence of an AUDITOR, subject to the approval of an AUDITOR. This is referred to as a SPC-1 REMOTE AUDIT.

11.6.2.2 Remote access to the BSC can be optionally supplied by the TEST SPONSOR to facilitate the SPC-1 REMOTE AUDIT process.

11.6.3 **General Rules**

11.6.3.1 An independent audit of the benchmark RESULT by an AUDITOR is required.

11.6.3.2 The AUDITOR's attestation letter is to be made readily available to the public as part of the FULL DISCLOSURE REPORT. A detailed report from the auditor is not required.

11.6.4 **New SPC-1 Result based on an Existing SPC-1 Result**

11.6.4.1 If the new SPC-1 RESULT is based on an existing SPC-1 RESULT (i.e., a SOURCE SPC-1 RESULT), the following audit requirements apply to the new SPC-1 RESULT:

- The AUDITOR must verify that the hardware and software components used in the PRICED STORAGE CONFIGURATION of the new SPC-1 RESULT are the same as those used in the SOURCE SPC-1 RESULT, except for differences related to branding or packaging;
- The AUDITOR must compare the FDR of the new SPC-1 RESULT with the FDR of the SOURCE SPC-1 RESULT and ensures that differences are related to SPONSOR identification, submission date, branding or packaging;
- The AUDITOR must review the validity of the pricing used for the new SPC-1 RESULT.

11.6.4.2 In the event that all conditions listed in Clause 11.6.4.1 are met, the AUDITOR is not required to follow the clause specific audit procedures from Clause 11.7.

11.7 **Clause Specific Audit Procedures**

11.7.1 **Clause 0 Introduction Related Items**

Obtain a Letter of Good Faith from the TEST SPONSOR signed by an appropriate senior executive. The Letter of Good Faith is required to appear on company letterhead. The document must be identical in format and content to the template in [Appendix A](#) with the appropriate changes specific to the benchmark submission (TEST SPONSOR name, TSC name, date, etc.). Any other changes in content and format must be approved by the SPC Compliance Review Committee (CRC) prior to the benchmark submission.

11.7.2 **Clause 1 Workload Environment Related Items**

None

11.7.3 **Clause 2 Storage Related Items**

11.7.3.1 Verification Items

1. Verify the PHYSICAL STORAGE CAPACITY and requirements stated in Clause 2.2.
2. Verify LOGICAL VOLUME ADDRESSABLE CAPACITY and requirements stated in 2.3.
3. Verify the ASU CAPACITY of each APPLICATION STORAGE UNIT and requirements stated in

Clause 2.4.

4. Confirm whether or not space optimization was applied to any APPLICATION STORAGE UNIT. If it was used, confirm that the summary description required by clause 10.6.2.5 is appropriate.

11.7.4 **Clause 3 Workload and I/O Operation Profile Related Items**

None

11.7.5 **Clause 4 ~~Benchmark Configuration & Tested Storage Configuration~~ ~~Benchmark Configuration & Tested Storage Configuration~~ Related Items**

11.7.5.1 Verification Items

1. Obtain a copy of BENCHMARK CONFIGURATION diagram (BC/TSC Configuration Diagram). If a storage network is employed in the BC/TSC, obtain a copy of ~~Figure 10-2~~ ~~Figure 10-2~~ (Storage Network Configuration Diagram). Confirm the components illustrated in the two figures.
2. Obtain a listing of all customer tunable parameters and options that have been altered from their default values. The listing must contain the name of each component with an altered parameter/option, the name of the parameter/option, and the altered value. .
3. Obtain information that is sufficient to recreate the logical representation of the TSC (Clause 10.6.2.3). That information must include, at a minimum, a diagram and/or description of the following:
 - o All physical components that comprise the TSC.
 - o The logical representation of the TSC presented to the SPC-1 WORKLOAD GENERATOR.
4. Verify the required configuration information for each HOST SYSTEM (Clause 10.6.1.3).
5. Verify the presence and version number of each SPC-1 WORKLOAD GENERATOR on each HOST SYSTEM in the BC.
6. Verify the TESTED STORAGE CONFIGURATION boundary within each HOST SYSTEM of the BC as documented in Clause 4.5 and as illustrated in Figure 4-1 through ~~Figure 4-5~~ ~~Figure 4-5~~.
7. In a multi-host configuration, verify compliance with Clause 5.3.11.
8. In a multi-host configuration, verify that the execution of multiple SPC-1 WORKLOAD GENERATORS on multiple HOST SYSTEMS are synchronized in time and therefore support the requirements of Clause 5.3.11.

Comment: *Verification of items #6, #7 and #8 may be done using the appropriate SPC-1 RESULTS FILES.*

11.7.6 **Clause 5 SPC Test Methodology Related Items**

None.

11.7.7 **Clause 6 ~~SPC-1 Measurement Requirements (Execution Rules)~~ ~~SPC-1 Measurement Requirements (Execution Rules)~~ Related Items**

11.7.7.1 Remote Audit Related Items

1. Obtain SPC-1 RESULTS FILES for each Test.
2. Authenticate the SPC-1 RESULTS FILES obtained in #1.
3. Inspect each Summary RESULTS FILES to determine compliance with all the constraints and requirements of Clause 4, Clause 5, and Clause 6.

11.7.7.2 On-Site Audit Related Items

1. Observe the execution of each Test and determine compliance with the requirements and constraints of Clause 6.
2. Obtain SPC-1 RESULTS FILES for each Test.
3. Authenticate the SPC-1 RESULTS FILES obtained in #2.
4. Inspect each SPC-1 RESULTS FILE to determine compliance with all the constraints and requirements of Clause 4, Clause 5, and Clause 6.

11.7.8 **Clause 7 ~~Data Persistence Requirements and Test~~ ~~Data Persistence Requirements and Test~~ Related Items**

11.7.8.1 General Validation and System Power Cycle

If the TEST SPONSOR did not shutdown and power cycle the HOST SYSTEM(s), based on Clause ~~7.4.3~~~~7.4.3~~, the AUDITOR may require additional information to ensure the submitted PERSISTENCE TEST results are compliant. If, after reviewing all available information, compliance of the submitted PERSISTENCE TEST results remains in question, the TEST SPONSOR will be required to re-run the PERSISTENCE TEST and include the HOST SYSTEM(s) shutdown and power cycle step.

11.7.8.2 Remote Audit Related Items

1. Obtain the successful PERSISTENCE TEST RESULTS FILE.
2. Authenticate the successful PERSISTENCE TEST RESULTS FILE s obtained in #1.
3. Inspect the PERSISTENCE TEST RESULTS FILE to determine compliance or non-compliance with all the constraints and requirements of Clause 4, Clause 5, and Clause 6.

11.7.8.3 On-Site Audit Related Items

1. Observe the successful PERSISTENCE TEST and determine its compliance with the requirements and constraints of Clause 7.
2. Obtain the PERSISTENCE TEST RESULTS FILE from each TEST.
3. Authenticate the successful PERSISTENCE TEST RESULTS FILE s obtained in #1.

4. Inspect the PERSISTENCE TEST RESULTS FILE s to determine compliance or non-compliance with all the constraints and requirements of Clause 4, Clause 5, and Clause 6.
5. Optional: Observe all runs (success or failure) of the PERSISTENCE TEST.

11.7.9 **Clause 8 ~~Reported Data~~ Reported Data Related Items**

If the TESTED STORAGE CONFIGURATION and PRICED STORAGE CONFIGURATION are not identical, verify that the differences between the two configurations are disclosed and that the PRICED STORAGE CONFIGURATION would be capable of providing at least the same level of reported performance as the TSC.

11.7.10 **Clause 9 Pricing Related Items**

For both ON-SITE AUDITS and Remote Audits ensure the FULL DISCLOSURE REPORT (FDR) submitted is complete and accurate based on the requirements in ~~Clause 9~~ Clause 9.

Review a preliminary copy of the PRICING SPREADSHEET, described in Clause 8.3.1, and verify that it meets all the requirements and constraints of ~~Clause 9~~ Clause 9. It is not required to review the final pricing prior to issuing the Audit Certification letter.

11.8 **SPC-1 Audit Certification**

11.8.1 If the AUDITOR determines the benchmark result is eligible for submission, the AUDITOR will produce an SPC Audit Certification letter attesting to the successful completion of the SPC-1 Audit and issue that letter to the TEST SPONSOR.

11.8.2 The SPC-1 Audit Certification letter will document execution of the SPC-1 Audit procedures defined in Clause 11.6.3. The SPC-1 Audit Certification letter for a successful SPC-1 Audit will contain any anomalous or inconsistent element encountered during the audit. While those elements did not prevent successful completion of the audit, their presence warranted documentation.

If the benchmark result is eligible for submission to the SPC, the TEST SPONSOR may then submit the required materials to the SPC to establish a new SPC-1 RESULT (Clause 11.10) and begin the SPC PEER REVIEW (Clause 11.11).

11.8.3 If the AUDITOR determines the benchmark result is not eligible for submission, the TEST SPONSOR may request an SPC-1 AUDIT REPORT that documents the compliance issues encountered during the SPC-1 AUDIT . In addition, the SPC-1 AUDIT REPORT will include recommendations to address the eligibility issues.

11.8.4 If the TEST SPONSOR disagrees with the AUDITOR's determination of eligibility, the TEST SPONSOR may submit an appeal to the SPC Compliance Review Committee.

11.9 **FDR Verification**

This verification would include:

- The required FULL DISCLOSURE REPORT (FDR) is **complete** (Clause 10.5).
- Information contained in the FDR is **authentic**. For example, verify that SPC-1 RESULTS FILES produced by the SPC-1 WORKLOAD GENERATOR are unaltered and represent the actual execution of the SPC-1 WORKLOAD GENERATOR.

- Information contained in the FDR is **accurate** and meets all of the requirements of this specification.

11.10 SPC-1 Measurement Submission

A TEST SPONSOR has the option to prepare a complete SPC-1 measurement submission based on a successful SPC-1 Audit. That submission, when received by the SPC, creates a new SPC-1 RESULT.

11.10.1 SPC-1 Measurement Submission Materials

A complete SPC-1 measurement submission consists of the following items submitted to the SPC by the TEST SPONSOR:

- A PDF version of the audited SPC-1 FULL DISCLOSURE REPORT (FDR) and EXECUTIVE SUMMARY
- Payment to the SPC of all SPC-1 AUDIT costs and SPC-1 RESULT filing fee.
- A release, if not previously submitted, allowing public disclosure of the SPC-1 RESULT and FDR.

11.10.2 New SPC-1 Result

When the SPC-1 measurement submission is successfully completed:

- A unique SPC-1 SUBMISSION IDENTIFIER is created for the submitted SPC-1 measurement.
- The submitted SPC-1 measurement becomes a new SPC-1 RESULT that is in “Submitted For Review” status.
- A copy of both the SPC-1 FULL DISCLOSURE REPORT and EXECUTIVE SUMMARY are placed on the SPC website in the “Benchmark Results” section.
- A notification email is sent to the SPC membership announcing the new SPC-1 RESULT.
- The SPC Peer Review begins (*Clause 11.11*).

11.10.3 SPC-1 Submission Identifier

An SPC-1 SUBMISSION IDENTIFIER takes the following format: **Annnnn-N**. Where:

Annnnn is a unique code assigned by the SPC that identifies an original SPC-1 RESULT and SPC-1 AUDIT.

N is the identifier for a republished SPC-1 result and Audit. The identifier will be omitted in the case of the original SPC-1 RESULT and SPC-1 AUDIT (SUBMISSION IDENTIFIER = Annnnn). The first reuse of a SUBMISSION IDENTIFIER will set the value of N to 1 (SUBMISSION IDENTIFIER = Annnnn-1). Each subsequent reuse will increment the value of N by 1.

11.11 SPC Peer Review

The SPC PEER REVIEW of a new SPC-1 RESULT begins when the result is created (*Clause 11.10.2*) and encompasses all the information contained in the SPC-1 FULL DISCLOSURE REPORT submitted for the result.

SPC PEER REVIEW of revisions to an existing SPC-1 RESULT begins when the revised SPC-1 FULL DISCLOSURE REPORT (FDR) is submitted to the SPC. The peer review, in this case, is limited to the revised information in the newly submitted FDR, which includes any component changes in the PRICED STORAGE CONFIGURATION.

The SPC PEER REVIEW is the final step to certify the SPC-1 RESULT's compliance with this specification. Upon successful completion of the SPC PEER REVIEW, a new SPC-1 RESULTs transitions from a "Submitted for Review" status to an "Accepted" status. Details of the SPC PEER REVIEW are described in the SPC Policies and Procedures (*Section 9.1,c*).

11.12 Creating a new SPC-1 Result based on an existing SPC-1 Result

11.12.1 General Requirements

An existing SPC-1 RESULT may be the basis of a submission to create a new SPC-1 RESULT if the following requirements are met:

- The TESTED STORAGE PRODUCT for the new SPC-1 RESULT is not the same as the TSP in the existing SPC-1 RESULT.
- The hardware and software components that comprise the PRICED STORAGE CONFIGURATION (*Clause 9.4.29.4.2*) in the new SPC-C Result are materially the same as those used in the existing SPC-1 RESULT.
- Any hardware and/or software differences between the existing and new PRICED STORAGE CONFIGURATIONS do not impact the performance-related PRIMARY METRICS and SECONDARY METRICS.
- All performance data disclosed in the new SPC-1 FULL DISCLOSURE REPORT (FDR) is identical to that which is contained in the original FDR.
- The existing SPC-1 RESULT is either in "Submitted for Review" or "Accepted" status.

The intent of this clause is to allow a reseller of equipment from a given supplier to publish a result naming their particular brand or model number without requiring any additional performance testing.

11.12.2 Withdrawal of the existing SPC-1 Result

If an SPC-1 RESULT successfully completes Peer Review and is subsequently withdrawn with no compliance issue outstanding, SPC-1 RESULTs based on the withdrawn SPC-1 RESULT are not required to be withdrawn.

11.13 SPC-1 Result Revisions

11.13.1 Valid Revisions

Revisions to an existing SPC-1 RESULT can occur only under the following conditions:

- Fully documented pricing changes to the PRICED STORAGE CONFIGURATION.

- A change in the SPC-1 AVAILABILITY DATE.
- As directed by the SPC Policies.

In all cases, the resulting revised SPC-1 FULL DISCLOSURE REPORT is required to be reviewed and approved by an AUDITOR prior to submission to the SPC (*Clause 11.10*).

11.13.2 SPC-1 Pricing Revisions

PRICED STORAGE CONFIGURATION pricing of an existing SPC-1 RESULT may be revised based on fully documented price changes (*decreases and increases*). If the cumulative price changes result in an increase of 5% or more from the reported SPC-1 TOTAL SYSTEM PRICE (*Clause 9.8.1.4*), the TEST SPONSOR must submit a revised FDR with the new pricing information to the SPC within 30 days of the effective date of the price changes for the SPC-1 RESULT to remain compliant. Pricing changes below the 5% increase threshold are submitted at the discretion of the TEST SPONSOR. In either case, the SPC-1 measurement need not be re-executed to remain compliant if there are no changes in the PRICED STORAGE CONFIGURATION components resulting from the revised pricing.

Comment: *The intent of this clause is that published the SPC-1 TOTAL SYSTEM PRICE- reflects the actual, current SPC-1 TOTAL SYSTEM PRICE.*

11.13.3 Priced Storage Configuration Availability Date Revisions

The original AVAILABILITY DATE for the PRICED STORAGE CONFIGURATION may be revised consistent with the Availability requirement specified in [Clause 9.7.39.7.3](#). The SPC-1 measurement need not be re-executed to remain compliant if there are no changes in the PRICED STORAGE CONFIGURATION resulting from the revised AVAILABILITY DATE.

11.13.4 SPC Policies Directed Revisions

Revisions to an SPC-1 RESULT may result from provisions in the SPC Policies and Procedures such as in the case of a compliance issue identified during the SPC PEER REVIEW.

11.13.5 Component Substitution in a revised SPC-1 Result

If a revision to an existing SPC-1 RESULT would result in a change to the PRICED STORAGE CONFIGURATION documented in the corresponding SPC-1 FULL DISCLOSURE REPORT (FDR), the TEST SPONSOR must submit, for review by an AUDITOR, a list of components that would be changed. The AUDITOR may require additional information and/or specific tests to be executed to ensure the revised PRICED STORAGE CONFIGURATION is capable of successfully completing the PERSISTENCE TEST, as well as, providing at least the same level of reported performance as stated in the current FDR.

Examples of component substitutions include:

- Replacement of a now obsolete component that was included in the existing PRICED STORAGE CONFIGURATION.
- Replacement of a component when a change in the component's availability would extend the SPC-1 AVAILABILITY DATE beyond the period allowed by the specification (*Clause 9.7.3.5*).

If the PRICED STORAGE CONFIGURATION component changes are approved by the AUDITOR, an amended SPC-1 Audit Certification letter will be issued to the TEST SPONSOR for inclusion in a revised FDR, which will contain a list of all changes (*Clause 10.6.1.5*). If the AUDITOR does not approve the component changes, the TEST SPONSOR may appeal that decision to the SPC Compliance Review Committee.

Clause 12 Energy Extension

12.1 Overview

The ENERGY EXTENSION is an optional extension of the SPC-1 benchmark specification as described in the following clauses. By performing ENERGY EXTENSION measurements, the TEST SPONSOR will augment the SPC-1 REPORTED DATA as described in Clause 8. The energy extension measurement and reporting may only be performed as part of the SPC-1 benchmark execution.

The purpose of the energy extension measurements is to record data on the power consumption of the TESTED STORAGE CONFIGURATION (TSC). An IDLE TEST is included as part of the ENERGY EXTENSION measurements, to determine TSC power consumption under idle conditions. Following the IDLE TEST, power consumption is also recorded throughout the PRIMARY METRICS TEST and Repeatability Tests.

12.2 Apparatus

The instruments or apparatus used to record power consumption must belong to the list “power extension apparatus” that is provided on the SPC web site. Instruments shall be included in the “power extension apparatus” list only after being recommended by an AUDITOR and approved by vote of the SPC Council. The use of instruments during energy extension tests shall conform to any electrical or other restrictions, as stated in the documentation provided with each instrument.

All power supplies present in the TSC must be active. Concurrent power measurements must be taken at each active AC input, such that the total power requirement of the TSC is recorded.

12.3 Disclosure Requirements

When energy extension measurements are taken, the TEST SPONSOR must disclose the following characteristics of the TSC:

- Number of AC input(s) used for powering the TSC.
- Voltage, amperage, and phase characteristics of the AC input(s) used for powering the TSC.
- Number of power supplies present and active in the TSC.
- Mutual failover capabilities of the power supplies, if any.

12.4 Measurements

12.4.1 Timekeeping

For the purpose of timekeeping, the system clock whose timekeeping is reflected in the SPC-1 WORKLOAD GENERATOR output is considered to be the master clock. The time of each power extension measurement must be reported by providing a complete time stamp, including both the date and the time of day. The reported times must agree with the timekeeping of the master clock to within +/- 1 second.

12.4.2 **Idle Test**

12.4.2.1 When energy extension tests are performed, the test sequence begins with a test of power use under idle conditions (IDLE TEST). If an SPC-1 test is performed without the energy extension, the IDLE TEST is not needed and is not performed.

12.4.2.2 RMS power data (in watts) are collected at 5 second intervals during the IDLE TEST.

12.4.2.3 The IDLE TEST permits power data to be captured for either a single idle state, or multiple idle states. The intent of permitting measurements of multiple, distinct idle states is to reflect progressive reductions of power use that may occur after prolonged inactivity. For example, if a small storage system has the capability to spin down its disk drives after an extended period of idle conditions, then the system supports two idle states and both can be measured during the IDLE TEST.

The number of idle states is determined by the TEST SPONSOR. The operational states measured during the IDLE TEST are called Idle-0, Idle-1, Idle-2, ..., Idle-L, where $L \geq 0$ is the number of the last (assumed to be deepest) idle state.

12.4.2.4 If it is desired to measure more than one idle state, the transitions between states must not require manual intervention. Such transitions may, however, be requested via the execution of a preprogrammed script, or can occur automatically as part of the routine operation of the TSC.

12.4.2.5 The IDLE TEST consists of the following phases, performed in sequence:

1. Conditioning Phase (duration: 10 minutes). The SPC-1 WORKLOAD GENERATOR applies a stimulus equal to that applied during the RAMPD_100 TEST PHASE of the PRIMARY METRICS TEST.
2. Phases Idle-0, Idle-1, ... Idle-(L-1) (duration: specified by the TEST SPONSOR, but the same for all affected Idle phases and no less than 10 minutes). No work is applied by the SPC-1 WORKLOAD GENERATOR.
3. Phase Idle-L (duration and start: specified by the TEST SPONSOR, but no less than 30 minutes). No work is applied by the SPC-1 WORKLOAD GENERATOR.
4. Recovery Phase (duration: 10 minutes). The SPC-1 WORKLOAD GENERATOR applies a stimulus equal to that applied during the RAMPD_10 TEST PHASE.

The TEST SPONSOR may optionally include a transition period prior to each phase as just listed in (2) through (4). The transition period, if included, must be the same length prior to each phase, not to exceed 3 minutes.

12.4.3 **Primary Metrics Test and Repeatability Test**

12.4.3.1 When energy extension measurements are performed, the PRIMARY METRICS TEST, followed by the Repeatability Test, begins immediately after completion of the IDLE TEST.

12.4.3.2 When energy extension measurements are performed, RMS power data (in watts) are collected at 5 second intervals during the PRIMARY METRICS TEST and Repeatability Tests

12.4.4 Temperature

The ambient temperature must be recorded at the following times:

- During the first one minute of the IDLE TEST.
- During the last one minute of the PRIMARY METRICS TEST.

These measurements are referred to as the initial and final energy extension temperatures respectively. The temperature measurements must have a precision of at least +/- 0.1 °C, and must be taken in near proximity to the TSC.

12.5 Power Profiles

12.5.1 For the purpose of developing the REPORTED DATA associated with the energy extension, three power profiles are defined. The three profiles are referred to as PPLOW, PPMED, and PPHIGH. The intent of the three profiles is to describe anticipated conditions in environments that respectively impose light, moderate, or heavy demands upon the TSC.

12.5.2 Each power profile is a triplet of three numbers, as follows:

PPLOW = (0, 8, 16)

PPMED = (4, 14, 6)

PPHIGH = (18, 6, 0)

The interpretation of the three numbers is that they represent anticipated hours of heavy, moderate, or idle operation respectively during a given day. For example, PPMED_1 (the first member of the PPMED triplet) is 4. This means that in environments that impose moderate overall demand, we anticipate 4 hours per day of heavy operation.

For the purpose of applying the energy profiles, heavy operation is associated with measurements taken at the 80% of the IO load level run of the Response Time Ramp Test Phase; moderate operation is associated with measurements taken at the 50% of the IO load level run of the Response Time Ramp Test Phase; and idle operation is associated with measurements taken in the Idle-L test phase. The average number of watts observed in each of the MEASUREMENT INTERVALS just identified will be referred to respectively as W_heavy, W_mod, and W_idle. Similarly, the corresponding IOPS results observed in the first two of these MEASUREMENT INTERVALS will be referred to respectively as IOPS_heavy and IOPS_mod.

12.5.3 Nominal Operating Power (watts). The Nominal Operating Power is intended to reflect the average power draw computed across three selected environments, over the course of a day, taking into account hourly load variations. When energy extension measurements are performed, the test result called Nominal Operating Power is defined to be: $(PPLOW_1 * W_heavy + PPLOW_2 * W_mod + PPLOW_3 * W_idle + PPMED_1 * W_heavy + PPMED_2 * W_mod + PPMED_3 * W_idle + PPHIGH_1 * W_heavy + PPHIGH_2 * W_mod + PPHIGH_3 * W_idle) / 72$.

12.5.4 Nominal Traffic (IOPS). The Nominal Traffic is intended to reflect the average level of I/O traffic computed across three selected environments, over the course of a day, taking

into account hourly load variations. When energy extension measurements are performed, the test result called Nominal Traffic is defined to be:
 $(PPLOW_1 * IOPS_heavy + PPLOW_2 * IOPS_mod + PPMED_1 * IOPS_heavy + PPMED_2 * IOPS_mod + PPHIGH_1 * IOPS_heavy + PPHIGH_2 * IOPS_mod) / 72$.

12.5.5 Operating IOPS/watt. The Operating IOPS/watt assesses the overall efficiency with which I/O traffic can be supported, by taking the ratio of the Nominal Traffic versus the Nominal Operating Power. When energy extension measurements are performed, the test result called Operating IOPS/watt is defined to be: (Nominal Traffic) / (Nominal Operating Power).

12.5.6 Annual Energy Use (kWh). The Annual Energy Use estimates the average energy use computed across three selected environments, over the course of a year. When energy extension measurements are performed, the test result called Annual Energy Use is defined to be: $0.365 * 24 * (\text{Nominal Operating Power})$.

12.6 Naming Convention

All references to an SPC-1 RESULT that includes the SPC-1 Energy Extension shall use the terms SPC Benchmark 1/Energy™ or SPC-1/E™, as appropriate, rather than SPC Benchmark 1™ or SPC-1™.

12.7 SPC-1/E Reported Data

12.7.1 SPC-1/E Post-Processing Tool

12.7.1.1 SPC-1/E REPORTED DATA can only be generated by the SPC-1/E Post-Processing Tool approved by the SPC-1 Maintenance Subcommittee.

12.7.1.2 The required input to generate SPC-1C/E REPORTED DATA consists of:

1. The data collected during the IDLE TEST as defined in Clause 12.4.2
2. The data collected during the PRIMARY METRICS TEST and Repeatability Test as defined in Clause 12.4.3.
3. The official SPC-1/E RESULTS FILES from the Conditioning TEST PHASE (Clause 12.4.2.5), the Recovery TEST PHASE (Clause 12.4.2.5), and the PRIMARY METRICS TEST and Repeatability Test (Clause 12.4.3).

12.7.1.3 SPC-1/E REPORTED DATA consists of:

1. A required graph produced by the SPC-1C/E Post Processing Tool, which reports and illustrates the performance in SPC-1C/E IOPS and average power consumption in RMS watts for IDLE TEST Conditioning Phase (Clause 12.4.2.5), IDLE TEST Recovery Phase (Clause 12.4.2.5), and the PRIMARY METRICS TEST and Repeatability Test (Clause 12.4.3). An example of that required graph appears below in Figure 12-1.
2. A required table produced by the SPC-1/E Post-Processing Tool, which reports the calculated power profile data (Clause 12.5). An example of that required table appears below in Figure 12-2.
3. A required table produced by the SPC-1/E Post-Processing Tool, which reports the power data collected during the IDLE TEST (Clause 12.4.2) and the PRIMARY METRICS TEST

(Clause 12.4.3). An example of a portion of that required table appears below in Figure 12-3.

Figure 12-1 Power / Performance Profile Data

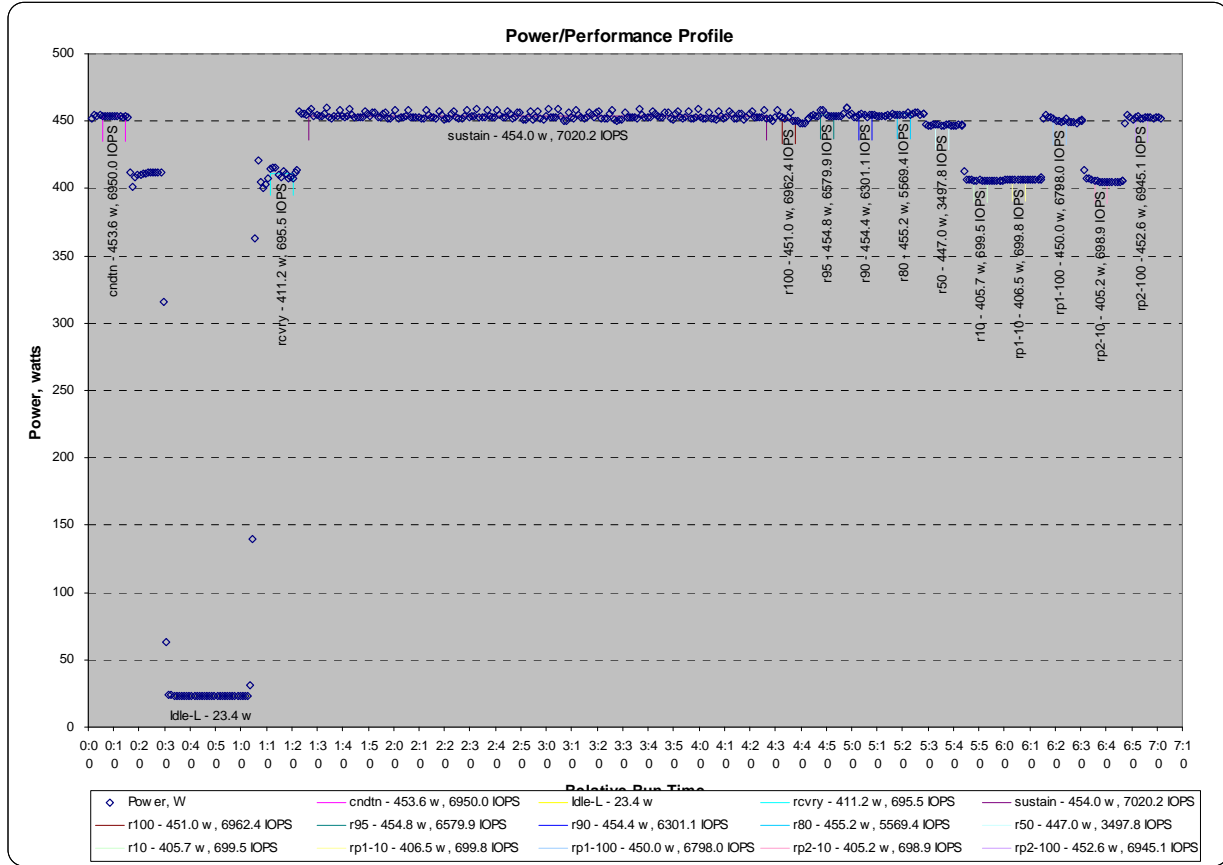


Figure 12-2 Power Profile Data

Power Environment													
Average RMS Voltage:			206.64		Average Power Factor:			0.832					
Usage Profile													
	Hours of Use per Day			Nominal	Nominal	Nominal	Nominal						
	Heavy	Moderate	Idle	Power, W	Traffic, IOPS	IOPS/W	Heat, BTU/hr						
Low Daily Usage:	0	8	16	164.58	1165.93	7.08	561.56						
Medium Daily Usage:	4	14	6	342.46	2968.61	8.67	1,168.51						
High Daily Usage:	18	6	0	453.15	5051.52	11.15	1,546.18						
Composite Metrics:								320.06		3,062.02		9.57	
Annual Energy Use, kWh:			2,803.75		Annual Energy Cost, \$:			\$ 336.45					
Energy Cost, \$/kWh:			\$ 0.12										

Figure 12-3 Power Consumption Data

Relative Time	Time	Run Name	Real Power, W	Voltage, V	Current, A
0:00:31	12:00:31	Conditioning			
0:01:31	12:01:31	Conditioning	452.25	206.61	2.4137
0:02:31	12:02:31	Conditioning	454.28	206.61	2.4218
0:03:31	12:03:31	Conditioning	453.71	206.61	2.4194
0:04:31	12:04:31	Conditioning	454.64	206.61	2.4236
0:05:31	12:05:31	Conditioning	454.13	206.61	2.4214
0:06:31	12:06:31	Conditioning	453.82	206.61	2.4201
0:07:31	12:07:31	Conditioning	453.66	206.60	2.4196
0:08:31	12:08:31	Conditioning	453.42	206.60	2.4184
0:09:31	12:09:31	Conditioning	453.82	206.60	2.4202
0:10:31	12:10:31	Conditioning	453.56	206.60	2.4192
0:11:31	12:11:31	Conditioning	453.31	206.60	2.4189
0:12:31	12:12:31	Conditioning	453.34	206.60	2.4192
0:13:31	12:13:31	Conditioning	452.93	206.60	2.4167
0:14:31	12:14:31	Conditioning	453.69	206.60	2.4200
0:15:31	12:15:31	Startup Idle-L	452.93	206.61	2.4174
0:16:31	12:16:31	Startup Idle-L	411.96	206.64	2.2428
0:17:31	12:17:31	Startup Idle-L	401.26	206.65	2.1969
0:18:31	12:18:31	Startup Idle-L	407.95	206.65	2.2247
0:19:31	12:19:31	Startup Idle-L	410.10	206.64	2.2325
0:20:31	12:20:31	Startup Idle-L	410.50	206.64	2.2344
0:21:31	12:21:31	Startup Idle-L	410.96	206.64	2.2370
0:22:31	12:22:31	Startup Idle-L	411.39	206.64	2.2385
0:23:31	12:23:31	Startup Idle-L	411.51	206.64	2.2387
0:24:31	12:24:31	Startup Idle-L	411.66	206.64	2.2387
0:25:31	12:25:31	Startup Idle-L	411.86	206.64	2.2401
0:26:31	12:26:31	Startup Idle-L	412.09	206.64	2.2411
0:27:31	12:27:31	Startup Idle-L	411.78	206.64	2.2397
0:28:31	12:28:31	Startup Idle-L	412.16	206.64	2.2414
0:29:31	12:29:31	Startup Idle-L	316.11	206.73	1.8733
0:30:31	12:30:31	Startup Idle-L	63.58	206.96	0.8777
0:31:31	12:31:31	Startup Idle-L	24.11	206.97	0.8321
0:32:31	12:32:31	Startup Idle-L	24.12	206.97	0.8420
0:33:41	12:33:41	Idle-L	23.50	206.97	0.8096
0:34:41	12:34:41	Idle-L	23.42	206.98	0.8064
0:35:41	12:35:41	Idle-L	23.41	206.98	0.8070
0:36:41	12:36:41	Idle-L	23.40	206.99	0.8074
0:37:41	12:37:41	Idle-L	23.40	206.99	0.8081
0:38:41	12:38:41	Idle-L	23.38	206.99	0.8086
0:39:41	12:39:41	Idle-L	23.39	206.99	0.8088
0:40:41	12:40:41	Idle-L	23.38	206.99	0.8093
0:41:41	12:41:41	Idle-L	23.37	206.99	0.8095
0:42:41	12:42:41	Idle-L	23.36	207.00	0.8093
0:43:41	12:43:41	Idle-L	23.36	206.99	0.8093
0:44:41	12:44:41	Idle-L	23.33	206.99	0.8092
0:45:41	12:45:41	Idle-L	23.32	206.99	0.8091
0:46:41	12:46:41	Idle-L	23.35	206.99	0.8094
0:47:41	12:47:41	Idle-L	23.37	206.99	0.8095
0:48:41	12:48:41	Idle-L	23.37	206.99	0.8095
0:49:41	12:49:41	Idle-L	23.35	207.00	0.8095
0:50:41	12:50:41	Idle-L	23.35	206.99	0.8094
0:51:41	12:51:41	Idle-L	23.37	206.99	0.8093
0:52:41	12:52:41	Idle-L	23.35	206.99	0.8092
0:53:41	12:53:41	Idle-L	23.36	206.99	0.8093
0:54:41	12:54:41	Idle-L	23.36	206.99	0.8092
0:55:41	12:55:41	Idle-L	23.35	206.99	0.8091
0:56:41	12:56:41	Idle-L	23.36	206.99	0.8091
0:57:41	12:57:41	Idle-L	23.35	206.99	0.8090
0:58:41	12:58:41	Idle-L	23.36	206.99	0.8091
0:59:41	12:59:41	Idle-L	23.35	206.99	0.8087
1:00:41	13:00:41	Idle-L	23.38	206.99	0.8086
1:01:41	13:01:41	Idle-L	23.33	206.99	0.8085
1:02:41	13:02:41	Idle-L	23.33	206.99	0.8083
1:03:41	13:03:41	RunOut	31.16	206.98	0.8372
1:04:41	13:04:41	RunOut	139.30	206.88	1.1798
1:05:41	13:05:41	RunOut	362.57	206.68	2.0402
1:06:41	13:06:41	Recovery	420.92	206.66	2.2781
1:07:41	13:07:41	Recovery	405.05	206.68	2.2112
1:08:41	13:08:41	Recovery	400.61	206.68	2.1930
1:09:41	13:09:41	Recovery	403.19	206.67	2.2035
1:10:41	13:10:41	Recovery	407.70	206.66	2.2218
1:11:41	13:11:41	Recovery	414.39	206.65	2.2497
1:12:41	13:12:41	Recovery	415.88	206.65	2.2553
1:13:41	13:13:41	Recovery	415.56	206.65	2.2539
1:14:41	13:14:41	Recovery	410.45	206.65	2.2321
1:15:41	13:15:41	Recovery	408.10	206.65	2.2224
1:16:41	13:16:41	Recovery	412.83	206.64	2.2428
1:17:41	13:17:41	Recovery	410.77	206.65	2.2339
1:18:41	13:18:41	Recovery	407.88	206.65	2.2217
1:19:41	13:19:41	Recovery	407.96	206.66	2.2222
1:20:41	13:20:41	Recovery	407.88	206.65	2.2220
1:21:41	13:21:41	RunOut	412.20	206.65	2.2405
1:21:46	13:21:46	Startup Sustainility	413.95	206.65	2.2480
1:22:46	13:22:46	Startup Sustainility	457.47	206.61	2.4355
1:23:46	13:23:46	Startup Sustainility	455.72	206.61	2.4274
1:24:46	13:24:46	Startup Sustainility	455.27	206.61	2.4256
1:25:46	13:25:46	Startup Sustainility	454.25	206.61	2.4213

12.8 SPC-1/E Full Disclosure Report (FDR) Requirements

12.8.1 Overview

In addition to the requirements and content defined in Clause 10, the SPC-1/E FDR shall include the content described in the following clauses.

12.8.2 Configuration Diagram

The FDR shall include a diagram of the electrical metering, illustrating the measurement apparatus used and the relationship between active AC inputs and the associated measurement apparatus inputs.

12.8.3 SPC-1/E Reported Data

All SPC-1/E REPORTED DATA defined in Clause 12.7 shall be included in the FDR.

12.8.4 Temperature

The ambient temperature measurement data, defined in Clause 12.4.4, shall be included in the FDR.

12.9 SPC-1/E Audit Requirements

Execution of the complete set of SPC-1/E Tests (*Clauses 12.4.2, 12.4.3*), which will form the basis of an SPC-1/E RESULT, are performed during an onsite audit.

In the case of a successful audit, the SPC-1/E Audit Certification report (*Clause 11.8*) will enumerate and document the procedures used in the audit, which include the requirements and process defined in Clause 11 as well as the process used to ensure compliance with the Clauses 12.2 — 12.8.

Eligibility for SPC-1/E measurement submission to the SPC, the submission process for an SPC-1C/E measurement submission to the SPC, disposition in the case of an unsuccessful audit, and TEST SPONSOR appeal process in the case of an unsuccessful Audit are defined in Clause 11.8.

Appendix A Letter of Good Faith Template

The required Letter of Good Faith submitted by a TEST SPONSOR must be identical in format and content to the template listed below with the appropriate changes specific to the benchmark submission (TEST SPONSOR name, TSC name, date, etc.). Any other changes in content or format must be approved by the AUDITOR prior to the benchmark submission.

Date: Date the benchmark result is submitted to the AUDITOR

From: Test Sponsor Name and Contact Information

To: Auditor Name and Contact Information

Subject: SPC-1 Letter of Good Faith for the *Tested Storage Configuration name*

Test Sponsor Name is the SPC-1 Test Sponsor for the above listed product. To the best of our knowledge and belief, the required SPC-1 benchmark results and materials we have submitted for that product are complete, accurate, and in full compliance with **Vn.n** of the SPC-1 benchmark specification.

In addition, we have reported any items in the Benchmark Configuration and execution of the benchmark that affected the reported results even if the items are not explicitly required to be disclosed by the SPC-1 benchmark specification.

Signed:

Date:

Name and title of an appropriate
Test Sponsor senior executive

Date of Signature

Appendix B The Hierarchical Reuse Random Walk

This appendix describes the “hierarchical reuse” random walk, which is employed in the specifications of the two random access patterns R1 and W1. Readers desiring a more in-depth treatment of this subject are also referred to Chapter 2 of *The Fractal Structure of Data Reference: Applications to the Memory Hierarchy*, by Bruce McNutt (ISBN 0-7923-7945-4, available from Kluwer Academic Publishers).

The objective of the hierarchical reuse random walk is to produce a pattern of requests in which the probability of data reuse is inversely proportional to the time since the first use. This characteristic, which matches well with real-world data reference behavior, reflects a specific form of self-similarity in the distribution of re-use events.

The hierarchical reuse random walk is performed within the leaves of a symmetric binary tree. Each leaf (each storage location) is assigned a leaf number $0 \leq l \leq 2^{Hmax}$. The tree structure makes it possible to emulate the desired self-similar distribution of re-use events.

Starting from a given leaf l_i of the tree, the next leaf l_{i+1} is determined as follows. First, climb a number of nodes $0 \leq k \ll Hmax$ above leaf l_i . Then, with probability v climb one node higher; with another probability of v climb an additional node higher; and so on (but stop at the top of the tree). Finally, select a leaf at random from all of those belonging to the sub-tree under the current node.

No special data structure is needed to implement the random tree-climbing operation just described. Instead, it is only necessary to calculate the random height $0 \leq H \leq Hmax$ at which climbing terminates. The next leaf is then given by the formula:

$$l_{i+1} = 2^H [l_i / 2^H] + [2^H R]$$

where R is a uniformly distributed random number in the range $0 \leq R < 1$, and where the brackets ($[]$) indicate truncation to an integer.

Index

A

Adaptive Data Migration	50
Application Storage Unit	15, 16, 18, 19, 22, 25, 26, 29, 35, 36, 39, 42, 43, 44, 45, 46, 50, 51, 52, 60
Pre-fill	22, 49, 50, 53, 55, 91
ASU	49, 59, <i>See Application Storage Unit</i>
ASU Capacity	17, 19, 23, 24, 36, 37, 38, 60, 63, 64, 94, 95, 99
ASU Stream	25, 35, 36, 37, 38
Audit	14, 41, 42, 55, 97, 98, 99, 101, 102, 103, 106, 113
On-Site	98, 102
Remote	98, 99
Audit Certification	55, 102
Audit Report	102
Auditor	50, 55, 60, 64, 76, 81, 86, 98, 101, 102, 105, 106, 107, 114
Availability Date	70, 80, 105
Average Response Time	47, 56, 58, 59, 63, 80

B

BC	<i>See Benchmark Configuration</i>
Benchmark Configuration	39, 40, 41, 42, 43, 50, 51, 52, 55, 56, 57, 60, 69, 78, 81, 82, 83, 84, 88, 89, 98, 100
Benchmark Special	13

C

Completed I/O Request	47
Completion Time	47, 53

D

Data Content	22
Data Protection	24, 64
Data Protection Level	24, 64
Data Rate	47
Data Repository	24
Data Re-reference	31

E

Executive Summary	76, 77, 78, 79, 80, 81, 103
Expected I/O Count	47

F

Failed I/O Request	47, 50, 96
FDR	<i>See Full Disclosure Report</i>
Full Disclosure Report	55, 70, 71, 72, 74, 75, 76, 81, 83, 86, 88, 89, 90, 91, 92, 93, 95, 98, 99, 102, 103, 104, 105, 106, 113

H

Hardware Maintenance	68
Host System	39, 41, 42, 43, 44, 45, 46, 50, 51, 52, 53, 55, 60, 61, 67

I

I/O Command	<i>See I/O Request</i>
I/O Request	25, 26, 30, 33, 36, 37, 47, 50, 53, 59, 92
I/O Request Throughput	47, 56, 57, 58, 59, 62
I/O Stream	25, 26, 30, 31, 32, 33, 34, 35, 36, 37, 47, 51, 56, 92, 93

Idle Test 107, 108, 109, 110

In-Flight I/O Request 47

L

Letter of Good Faith 12, 76, 99, 114

Logical Block 19, 26, 34, 96

Logical Volume 17, 18, 19, 39, 42, 60

Logical Volume Address Capacity 18

Logical Volume Capacity 17, 99

Logical Volumes 20, 23, 49, 59, 89, 90, 91, 94

M

Measured I/O Request 47, 51

Measured Intensity Multiplier 47, 51, 56

Measurement Boundary 53

Measurement Interval 47, 49, 50, 51, 57, 58

P

Persistence Test 53

Physical Capacity Utilization 24, 90

Physical Free Space 20, 22, 23, 49, 59, 94, 95

Physical Storage Capacity 17, 24, 64, 68, 99

Priced Storage Capacity 80

Priced Storage Configuration 64, 67, 68, 69, 70, 71,
72, 76, 78, 79, 80, 81, 88, 102, 104, 105, 106

Pricing 99

Pricing Spreadsheet 72, 73, 80, 102

Primary Metrics 104

Primary Metrics Test 55, 56, 58, 107, 108, 109, 110

PSC 68

R

Reported Data 65, 107, 109, 110, 113

Response Time 47

Results Files 49

Runout 47, 49, 50

S

Software Support 68

Space Effectiveness Ratio 23, 63, 78, 94, 95

Space Optimization Ratio 23, 94, 95

SPC Auditor 98

SPC Peer Review 97, 102, 104, 105

SPC-1 Associated Data 62, 64

SPC-1 Audit 74

SPC-1 Benchmark 76, 98

SPC-1 Data Repository 18

SPC-1 Primary Metric

 SPC-1 Price-Performance 62, 64

SPC-1 Primary Metrics 62, 63

 SPC-1 ASU Price per GB 63

 SPC-1 Average Ramp Response Time 63, 80

 SPC-1 IOPS 57, 58, 59, 61, 62

 SPC-1 IOPS™ Response Time 63

 SPC-1 Price-Performance 62, 64, 65, 66, 67, 71

SPC-1 Reported Data 62, 77

SPC-1 Result 64, 65, 66, 74, 76, 77, 81, 85, 86, 97,
98, 99, 102, 103, 104, 105, 110

SPC-1 Results Files 97, 98, 100, 101, 102

SPC-1 Secondary Metrics 62

SPC-1 Submission Identifier	64, 76, 77, 103
SPC-1 Workload Generator	17, 18, 19, 26, 30, 39, 44, 45, 46, 47, 48, 49, 50, 51, 53, 56, 57, 60, 61, 81, 89, 100, 102, 107, 108
SPC-1/E Results Files	110
SSU	<i>See Stimulus Scaling Unit</i>
Start Time	47, 53
Steady State	47, 48, 49, 56
Stimulus Scaling Unit	15, 31
Storage Device	17, 24, 41, 43, 44, 45, 46, 50, 79, 80, 82, 88
Submission Identifier	86, 103
System Software	47

T

Target Country	65, 66, 70, 71
Test	48, 49, 50, 55, 58, 61

Test Phase	47, 48, 49, 50, 51, 55, 56, 57, 58, 59, 60, 61, 62, 63, 80, 110
Test Sponsor	12, 13, 16, 24, 40, 41, 42, 49, 50, 52, 55, 56, 57, 60, 61, 69, 70, 71, 72, 74, 76, 77, 79, 80, 86, 88, 98, 99, 101, 102, 103, 105, 106, 107, 108, 113, 114
Tested Storage Configuration	24, 39, 41, 42, 43, 44, 45, 47, 48, 49, 50, 52, 55, 56, 57, 58, 60, 61, 62, 67, 68, 74, 76, 79, 81, 82, 86, 87, 88, 89, 96, 99, 100, 102, 107, 108, 109, 114
Tested Storage Product	46, 64, 76, 77, 79, 97, 104
Total System Price	62, 64, 65, 66, 67, 71, 72, 105
Transition	47, 48, 49, 50, 56, 61
TSC	20, 23, 24, 49, 59, 94, <i>See Tested Storage Configuration</i>

U

Unavailable Capacity	24
----------------------	----

W

Workload	25, 26, 27, 30, 31, 33, 35, 49, 51
----------	------------------------------------